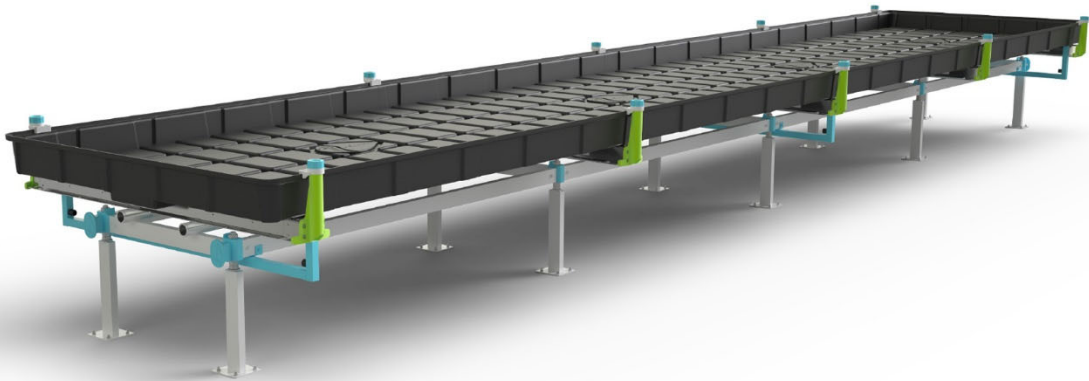




# SLIDE BENCH

## ASSEMBLY INSTRUCTIONS



### *- BEFORE YOU GET STARTED -*

Please take the time to read all the assembly instructions before attempting to assemble your Botanicare® Slide Bench. These instructions show assembly of a 20" tall, 18.5ft long bench as an example. All steps apply for benches of different lengths and heights; however, some parts may differ from bench to bench. Failure to read and follow these instructions will void any warranty on this product and purchaser shall be fully liable for any costs or damages caused by such failure.

©2023. World rights reserved. | HGC117004-02 | LB23562



SCAN FOR SLIDE BENCH  
INSTRUCTION MANUAL



SCAN FOR SLIDE BENCH  
ASSEMBLY VIDEO

THESE INSTRUCTIONS CAN BE FOUND AT: [botanicare.com/products/slide-bench/](https://botanicare.com/products/slide-bench/)

## Table of Contents

Safety.....	3
Check the Packing List.....	4
Tools Needed.....	5
Anchors (Not Included with Purchase).....	5
Tips & Clarifications.....	6
Basic Bench Dimensions.....	6
Hardware and Parts Included.....	9
Maximum Threaded Rod Extension.....	12
Setting the Drill Clutch.....	12
Bench Assembly and Installation.....	13
Step 1. Multi-Bench Room Layout.....	13
Room Orientation.....	13
Worksheet: Room Layout Calculator.....	14
Lasering / Chalking the Room.....	15
Step 2. Arch Assembly.....	16
Step 3. Frame Assembly.....	17
Step 4. Anchor Frame.....	18
Step 5. Level Frame.....	19
Step 6. Roller Tube Assembly.....	20
Step 7. Table Assembly.....	21
Step 7a. Table Assembly (4' Wide Bench Only).....	22
Step 7b. Table Assembly (5' Wide Bench Only).....	25
Step 8. Installation of Anti-Tip.....	28
Step 9. Installation of Roller Spacers.....	31
Step 10. Installation of Trellis Mounts.....	32
Step 10a. Installation of Standard Trellis Mounts.....	32
Step 10b. Assembly of TriLock™ Trellising Support.....	33
Step 11. Tray Assembly.....	34
Step 12. Frame Emblems.....	36
Step 13. Trellising.....	37
Step 13a. Trellising with the Standard Trellis Mount.....	38
Step 13b. Trellising with the TriLock™ Trellising Supports.....	39
Appendix A: Bench Lengths vs. Dimension L.....	40
Appendix B: Slope for Drainage.....	41

# Safety

## Safety Definitions

### Warnings



This symbol indicates a warning, indicating the type and seriousness of the ensuing risk if measures to prevent the risk are not taken.

### Important Information / Notes



This symbol indicates important information where there is no risk to people or property.

## Safety Precautions

Read and follow all warnings and instructions before using Botanicare® Slide Bench. Failure to heed direction could lead to serious personal injury, damage to the Slide Bench, or property damage.

### **WARNING Installation Requirements:**



- The Slide Bench must always be placed on and anchored to a concrete surface that is level and void of any large cracks. Failure to do so could result in the bench tipping over unexpectedly.
- Use approved anchors as defined in this document.
- All steps in this assembly procedure must be completed prior to using the bench.
- Do not extend threaded shafts more than the maximum spacing defined.
- Do not drill anchors into post tension slabs.
- **Before using BOND THREE Lap Tray Sealant Adhesive, carefully read and follow all warnings and directions for use, on package and in instructions.**

### **WARNING Use:**



- Do not load the Slide Bench with more than 25 pounds per square foot.
- Do not climb on or in the Slide Bench or trays.
- Keep fingers and hands away from the rollers. The table rollers can cause injury.
- Keep fingers and hands away from the anti-tip brackets. Do not use the brackets to move the bench. Fingers or hands can be caught between the bracket and the frame causing injury.
- Never move the bench with people or equipment in between the benches as this could cause injury to personnel or damage to equipment.

## Check the Packing List

---

Upon receipt of your shipment, it is important to double-check the packing list to make sure all ordered components were received. This also helps familiarize yourself with the product.

We recommend organizing parts together based on the assembly steps to reduce potential confusion – below is the suggested organization method:

Arch Assembly Parts

Frame Parts

Roller Tube Parts

Table Parts

Anti-Tip Parts

Trays and Accessories

Fasteners

If this is your first Slide Bench build, we recommend constructing one bench fully to familiarize yourself with the parts and assembly process. Once one is built, you can begin batch-building subassemblies which can greatly reduce total install time.




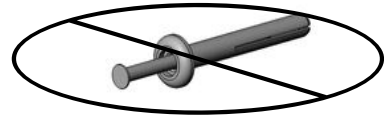
## Tools Needed

The following tools & supplies are required to assemble the Slide Bench.

<p>Cordless Drill <i>with clutch</i></p> 	<p>Level</p> 	<p>1/4" Masonry Drill Bit</p> 
<p>Hammer Drill</p> 	<p>Hammer or Mallet</p> 	<p>Rubbing Alcohol</p> 
<p>Tape Measure</p> 	<p>15/16" Combination / Box Wrench</p> 	<p>Clean Cloth Rags</p> 
<p>Layout Laser</p> 	<p>3/8" Magnetic Nut Driver Bit</p> 	<p>Caulk Gun (use with BOND THREE)</p> 
<p>Chalk Line</p> 	<p>5/16" Magnetic Nut Driver Bit</p> 	<p>1 3/8" Step Drill Bit</p> 

### Anchors (Not Included with Purchase)

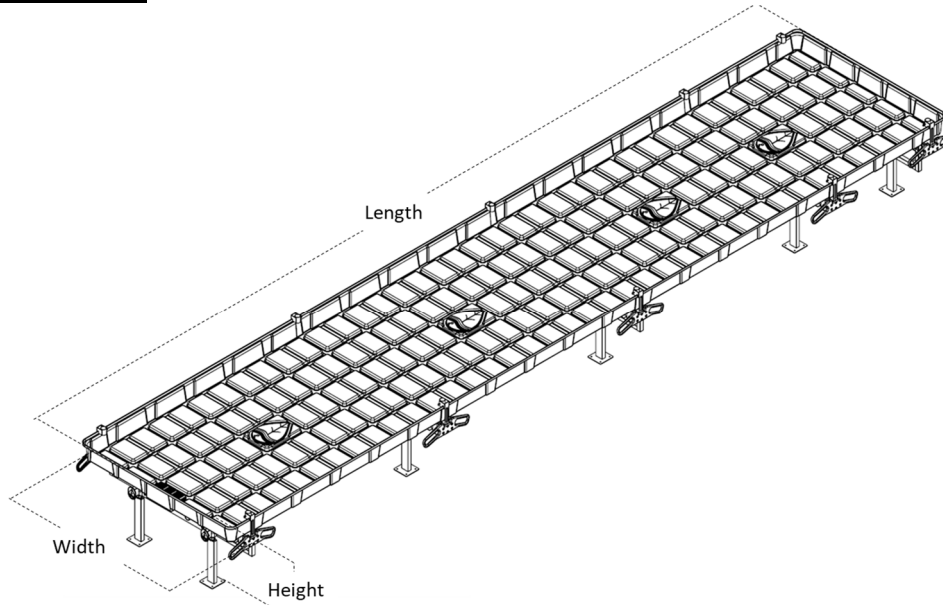
Installation of the bench systems will require 1/4" x 2 1/4" wedge-style concrete anchors. Installation of the anchors should follow the anchor manufacturer's recommendations.

<p>Acceptable wedge-style anchor</p> 	<p>Unacceptable anchor</p> 
--	---

## Tips & Clarifications

Please take the time to read this section; it may help prevent a lot of unnecessary work.

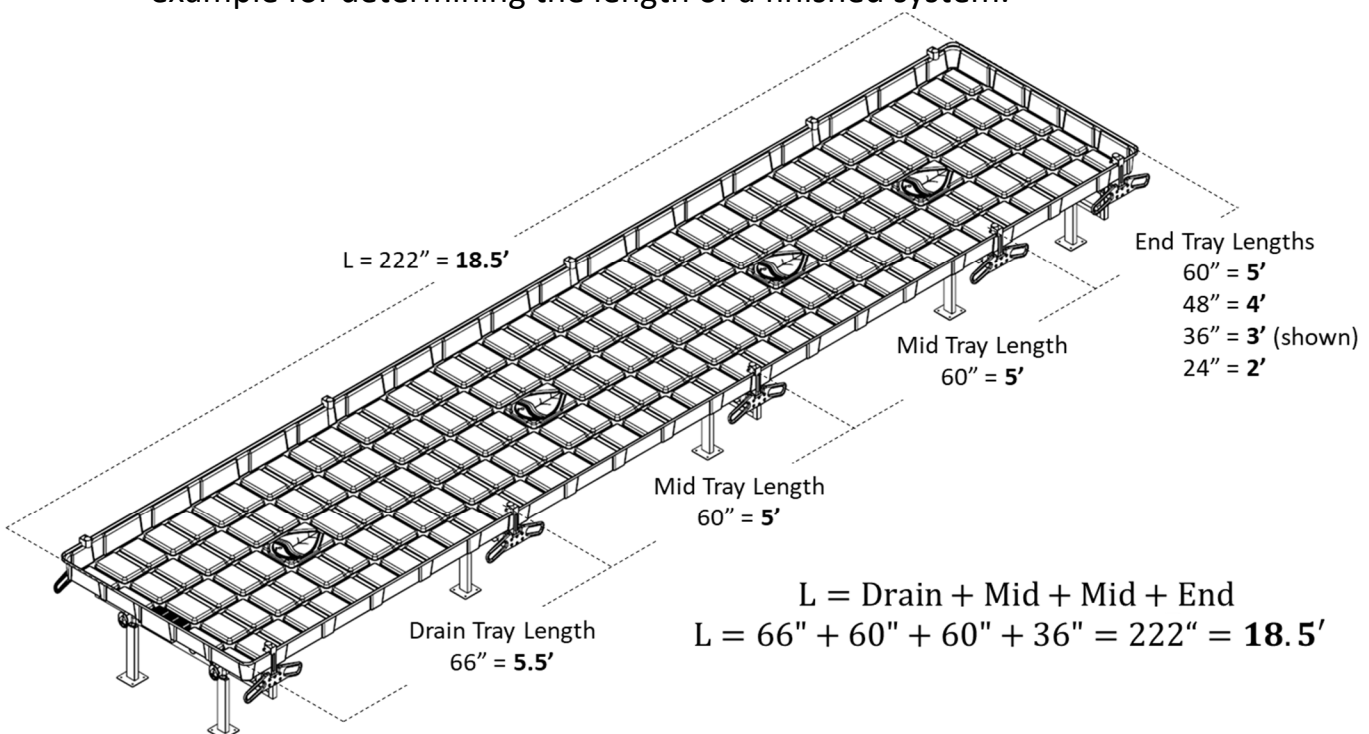
### Basic Bench Dimensions



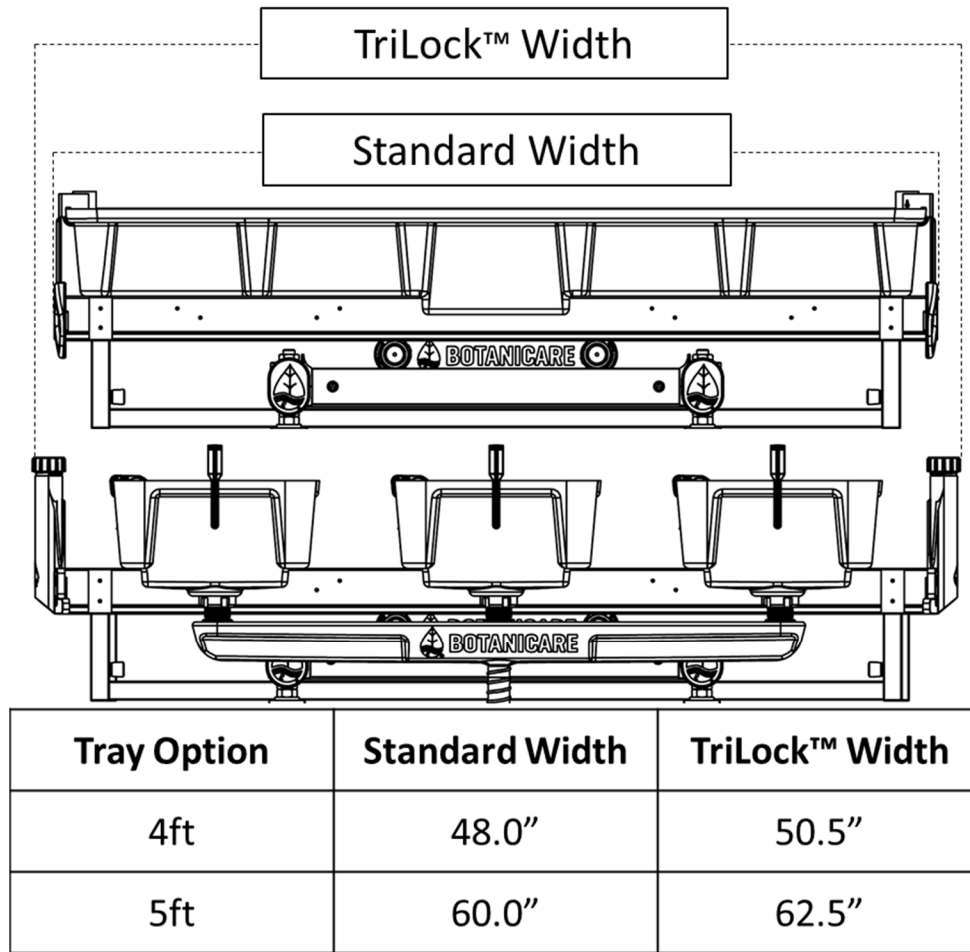
A single Slide Bench can be described using three values: Length, Width, and Height

**Length:** This is the total outside dimension of the bench in feet from the outermost edge of the drain tray to the outermost edge of the end tray. This value will always end in a half-foot increment, e.g. 7.5ft, 18.5ft, etc.

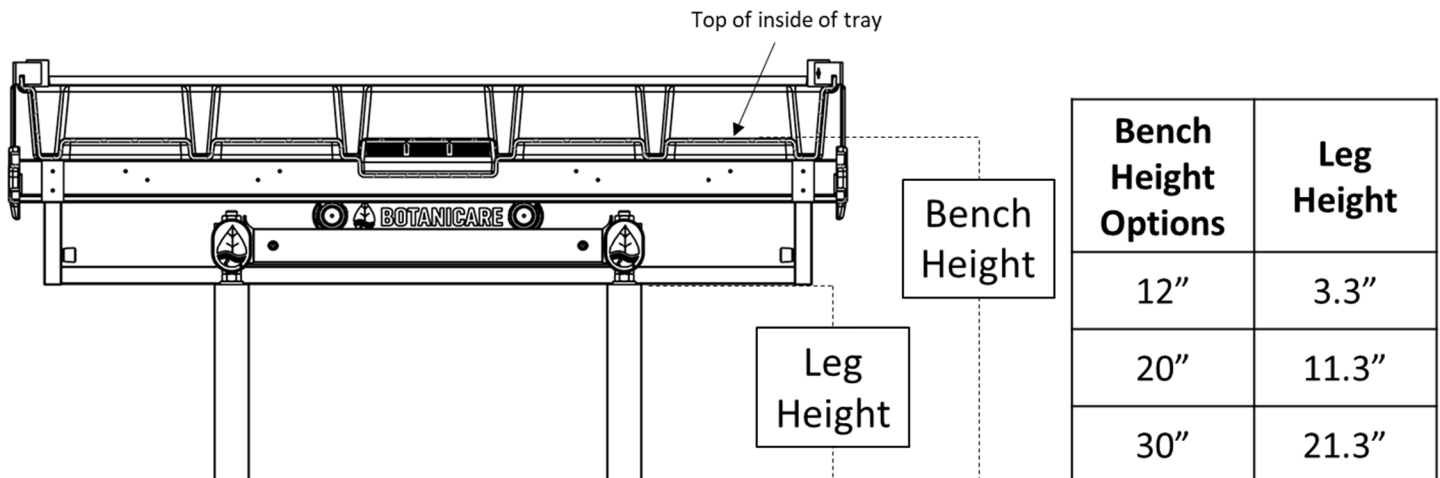
- The bench length is determined by the trays being used in the system. See below example for determining the length of a finished system.



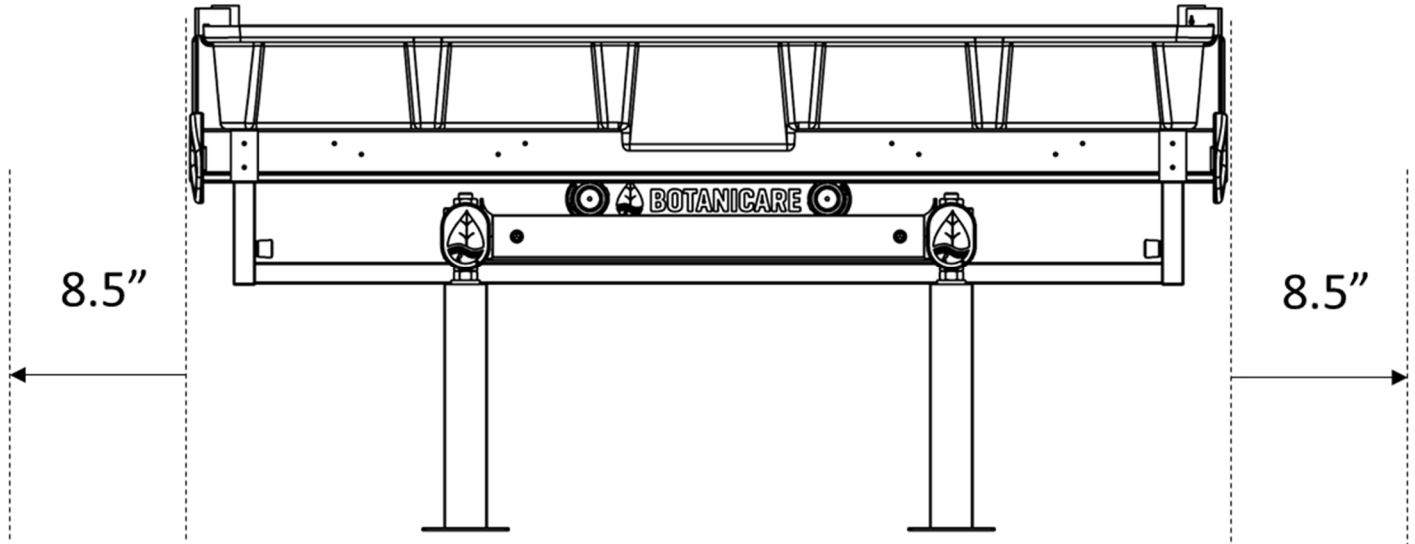
**Width:** This is the total outside dimension of the system from the selected trellis option. In general terms, a system is referred to as either “4ft” or “5ft” width even though the outside dimension may be slightly different depending on the trellising option. With two trellis options available (Standard and TriLock™) there are two different bench widths for both the “4ft” and “5ft” option. See below to visualize the difference in bench width between the two systems.



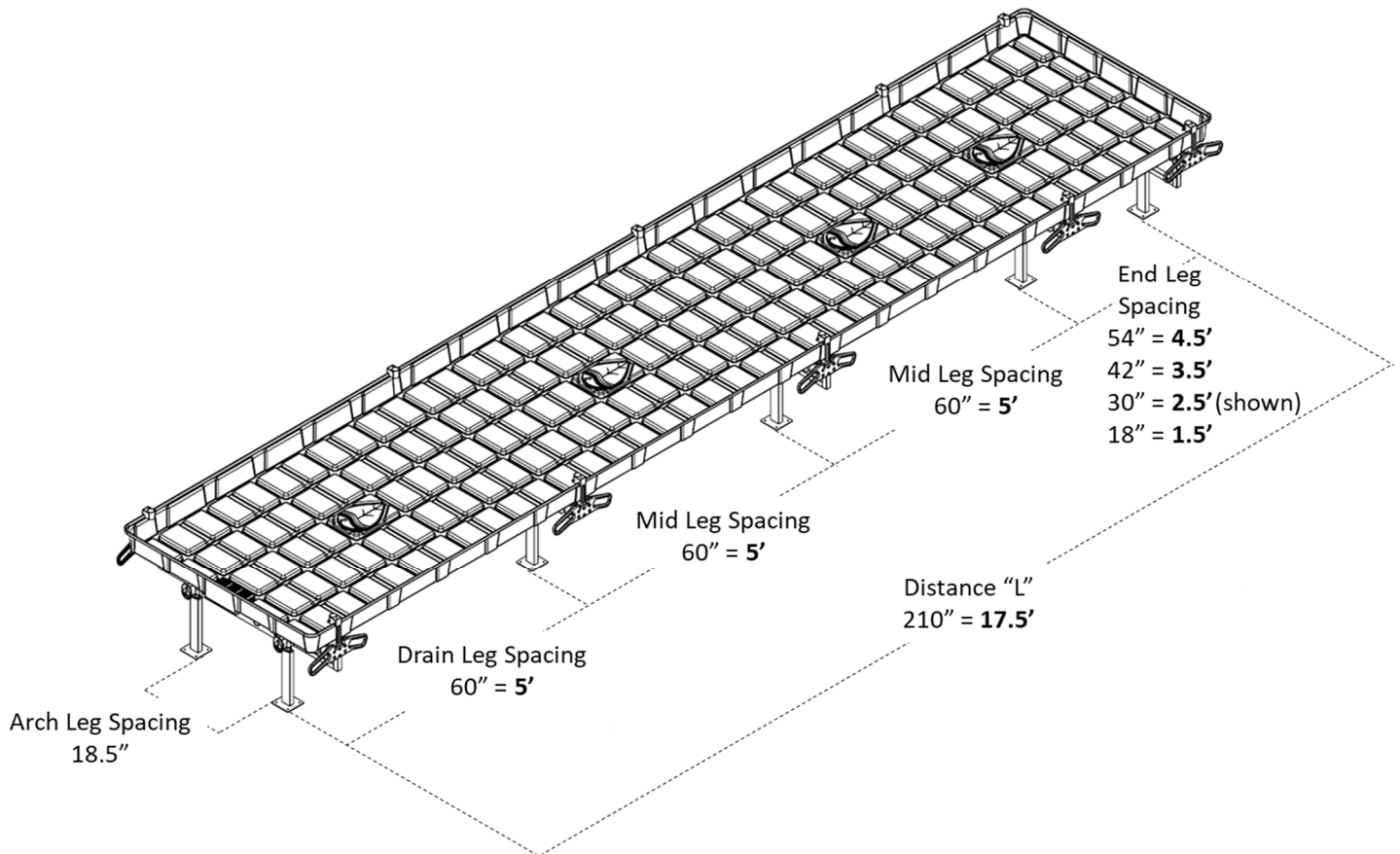
**Height:** This is the approximate distance in inches from the floor to the bottom of the tray where plants would sit and *not* the total height of the bench. See below.



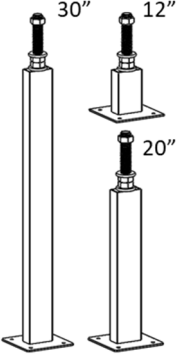

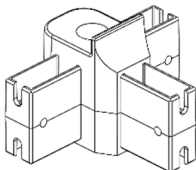

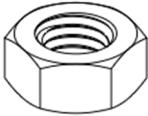

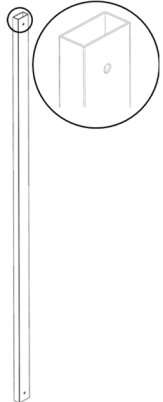
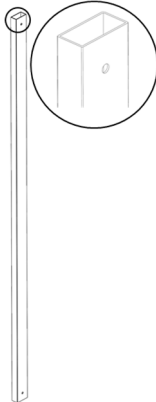




**Slide / Travel Distance:** This is the amount that a bench can travel in inches. From a centered position, the bench can move 8.5" left and 8.5" right, for a total of 17" of travel.

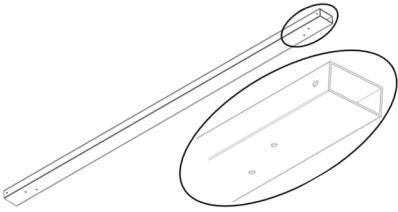
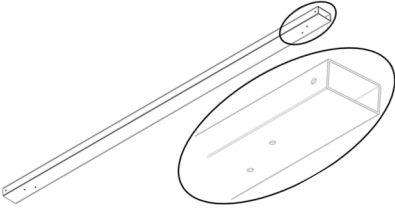

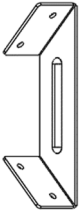



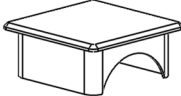



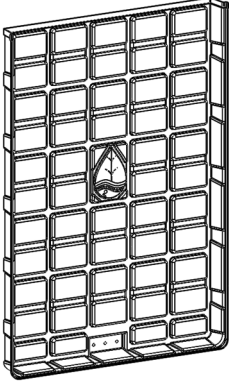
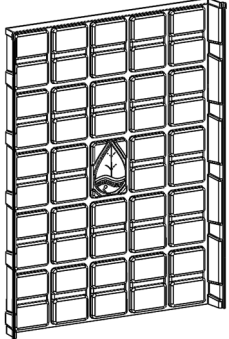
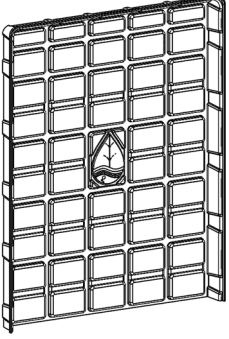
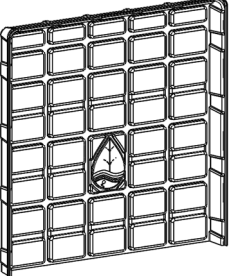
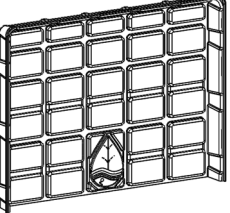
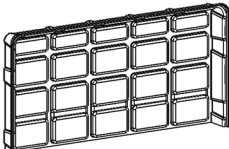
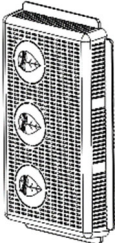
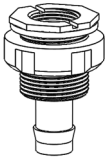
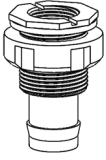

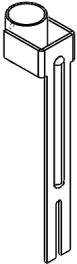
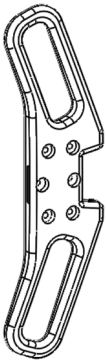


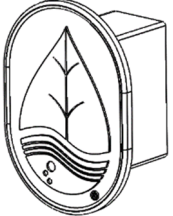
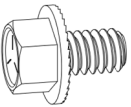

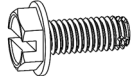
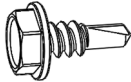

**Bench Leg Spacing:** This is the layout of the legs of the bench relative to one another. Note that the "Mid" and "Drain" leg spacing along the length of the bench is the same 5' distance. The spacing for the "End" leg varies, depending on the length of your "End" tray. The spacing between the footplates of the "Arch Assembly" legs is 18.5" for both 4ft and 5ft width systems.



## Hardware and Parts Included

<b>Arch Assembly Parts</b>	<p><b>Leg Assembly</b></p>  <p>30" 12" 20"</p> <p>12" (LC3651) 20" (LC3652) 30" (LC3653)</p>	<p><b>Arch Tube</b></p>  <p>20" (MS3257)</p>	<p><b>Frame Connector</b></p>  <p>(MS3281)</p>	<p><b>Threaded Rod</b> (Pre-assembled to Leg)</p>  <p>12" (MS3282) 20", 30" (MS3284)</p>	<p><b>5/8"-11 Hex Nut</b> (Pre-assembled to Leg)</p>  <p>(MS3255)</p>	<p><b>5/8" Flat Washer</b> (Pre-assembled to Leg)</p>  <p>(MS3256)</p>
<b>Frame Parts</b>	<p><b>Long Frame Tube</b></p>  <p>(MS3292) 58.5"</p>		<p><b>Short Frame Tube</b> (For End Sections)</p>  <p>For 5' End Tray (MS3286) 52.5" For 4' End Tray (MS3806) 40.5" For 3' End Tray (MS3807) 28.5" For 2' End Tray (MS3808) 16.5"</p>			
<b>Roller Parts</b>	<p><b>Long Roller Tube</b></p>  <p>(MS3294) 56"</p>	<p><b>Short Roller Tube</b> (For End Sections)</p>  <p>For 5' End Tray (MS3288) 50" For 4' End Tray (MS3822) 38" For 3' End Tray (MS3823) 26" For 2' End Tray (MS3824) 14"</p>	<p><b>Roller End</b></p>  <p>(MS3287)</p>	<p><b>Roller Connector</b></p>  <p>(MS3293)</p>		

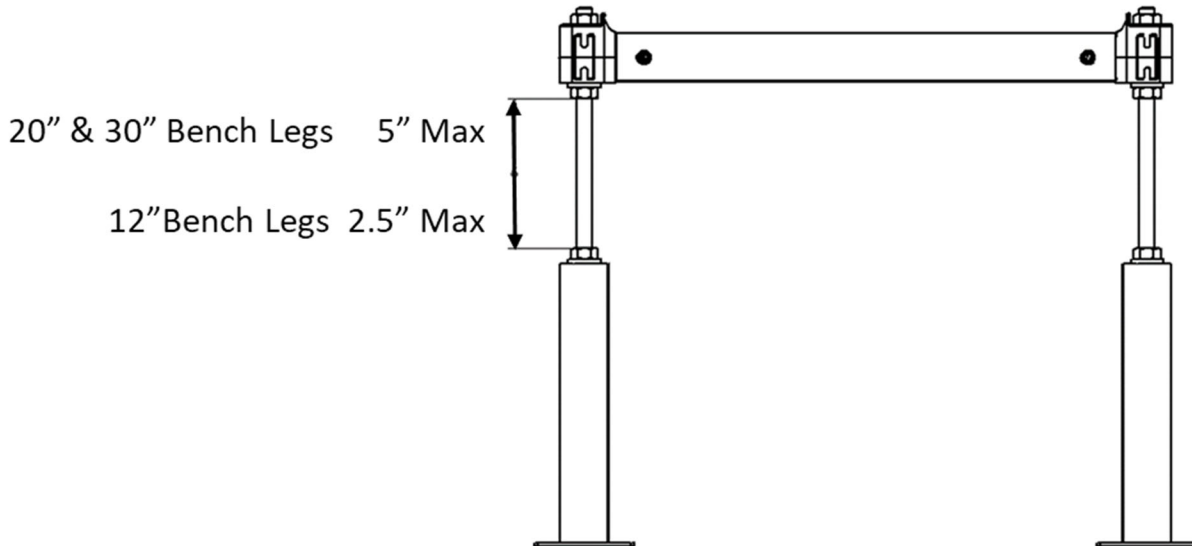
<b>Table Parts</b>	<p><b>Long Table Tube</b></p>  <p><b>(MS3295) 57"</b></p>		<p><b>Short Table Tube</b> (For End Sections)</p>  <p>For 5' End Tray <b>(MS3290) 51"</b>  For 4' End Tray <b>(MS3809) 39"</b>  For 3' End Tray <b>(MS3810) 27"</b>  For 2' End Tray <b>(MS3821) 15"</b></p>		<p><b>Table Extrusion</b></p>  <p>4' <b>(MS3296)</b> 5' <b>(MS3431)</b></p>	<p><b>Corner Bracket</b></p>  <p><b>(MS3289)</b></p>
	<b>Anti-Tip Parts</b>	<p><b>Anti-Tip Frame</b></p>  <p><b>(MS3300)</b></p>	<p><b>Guide Bracket</b></p>  <p><b>(MS3301)</b></p>	<p><b>Bump Stop</b></p>  <p><b>(MC2085)</b></p>	<p><b>1" Square Tube Cap</b></p>  <p><b>(MC2083)</b></p>	<p><b>5/8" Hole Plug</b></p>  <p><b>(MC2084)</b></p>

<b>Trays and Accessories</b>	<p><b>OG Drain Tray</b></p>  <p>4' (HGC706009) 5' (HGC706663)</p>	<p><b>OG Middle Tray</b></p>  <p>4' (HGC706012) 5' (HGC706667)</p>	<p><b>OG 5' L End</b></p>  <p>4'x5'L (HGC706010) 5'x5'L (HGC706668)</p>	<p><b>OG 4' L End</b></p>  <p>4'x4'L (HGC706162) 5'x4'L (HGC706165)</p>	<p><b>OG 3' L End</b></p>  <p>4'x3'L (HGC706163) 5'x3'L (HGC706166)</p>
	<p><b>OG 2' L End</b></p>  <p>4'x2'L (HGC706164) 5'x2'L (HGC706167)</p>	<p><b>Drain Screen</b></p>  <p>(HGC708573)</p>	<p><b>3/4" Bulkhead Drain Fitting</b></p>  <p>(HGC708552)</p>	<p><b>1" Bulkhead Drain Fitting</b></p>  <p>(HGC708558)</p>	<p><b>Bond Three Adhesive</b></p>  <p>(HGC706016)</p>
	<p><b>Trellis Bracket</b></p>  <p>(MS3297)</p>	<p><b>Handle</b></p>  <p>(MC2081)</p>	<p><b>TriLock™ Trellising Support</b></p>  <p>(HGC707110) OR (MS5071)</p>	<p><b>Roller Spacer</b></p>  <p>(MC2082)</p>	<p><b>Frame Emblem</b></p>  <p>(MS3531)</p>
	<p><b>Fasteners</b></p> <p>1/4"-20 x 3/8" Hex Head Screw</p>  <p>(MS3271)</p>	<p>10-32 x 1" Thread Cutting Hex Head Screw</p>  <p>(MS3299)</p>	<p>10-32 x 1/2" Thread Cutting Hex Head Screw</p>  <p>(MS3291)</p>	<p>10-16 x 1/2" Self- Drilling Screw</p>  <p>(MS3260)</p>	<p>10-24 x 1/2" Thumb Screw</p>  <p>(MS3298)</p>

## Maximum Threaded Rod Extension



Do not extend the threaded rods too far from the legs. Doing so may result in the failure of the bench which can result in equipment damage and/or injury. See image below for height details.



## Setting the Drill Clutch



Use a drill with clutch! Do not overtighten screws as this will strip the threads.

- Every drill is different, use caution until familiar with the drill's capabilities.
- Use the lowest setting on the drill clutch that will install the screws.
- A higher torque may be required to initially cut the threads, reduce torque for final tightening.
- After installing, hand tightening will help prevent stripping threads.



# Bench Assembly and Installation

## Step 1. Multi-Bench Room Layout

Use the room layout calculator tool to determine the quantity, position, spacing, and desired room aisle widths between and around the benches.

Need help? We're here for you. Scan the QR code on the right to visit the benching page on [botanicare.com](http://botanicare.com) and request a personalized layout.



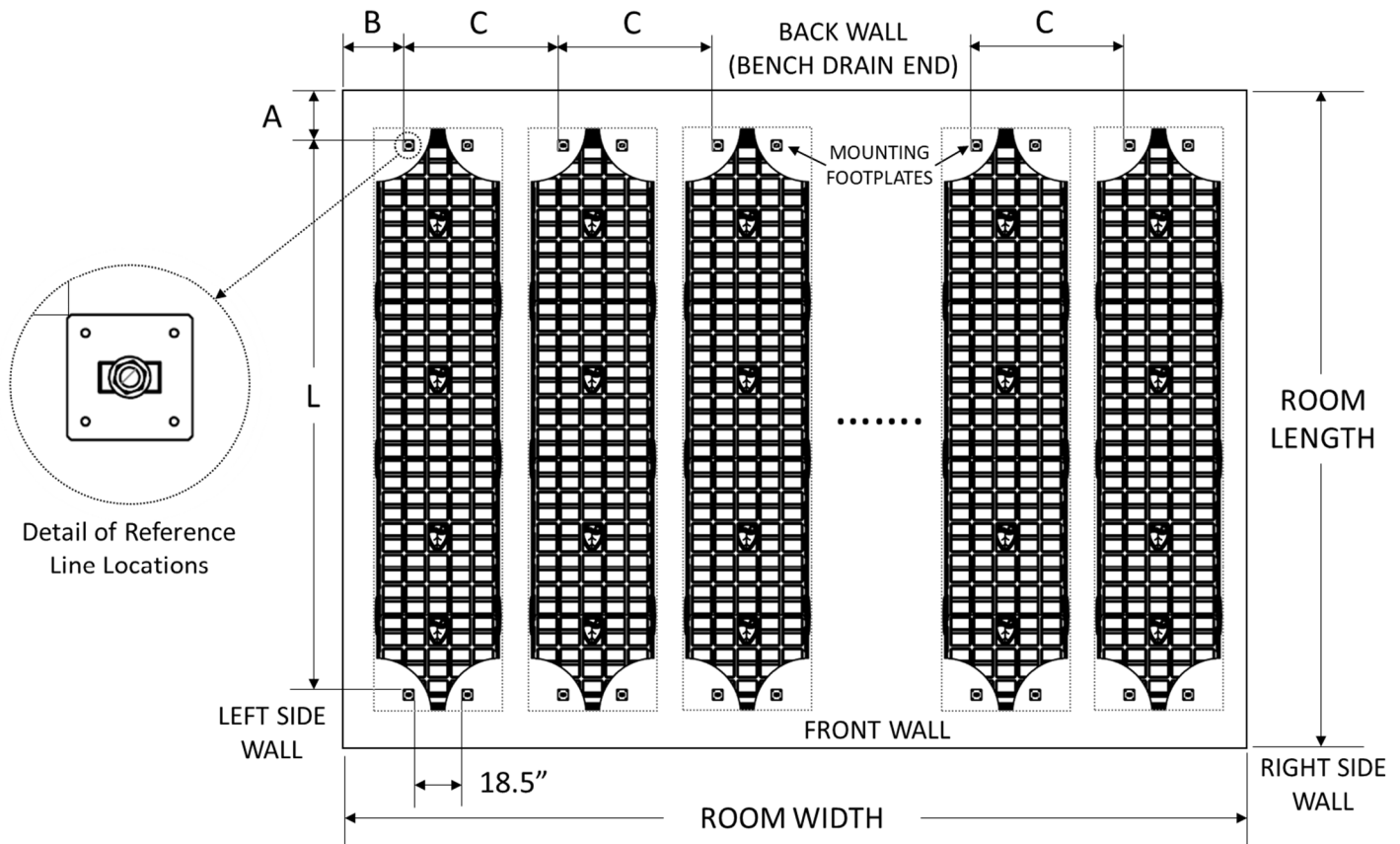
**ALWAYS** layout the entire room prior to assembly of hardware.



Precise layout of the room prior to the assembly of any benches will help in achieving the desired spacing around and between the benches. Always verify layouts are square by checking the diagonal distance between opposing corners are equal. Do not rely on the walls being straight or square.

### Room Orientation

These instructions will use the following room orientation.



## Worksheet: Room Layout Calculator

### A. Drain Tray to Wall Spacing

Enter desired spacing here: \_\_\_\_\_ + 5 1/8" =

Distance A

### B. Left Side Tray to Wall Minimum Spacing

(When bench is moved the full 8.5" towards the wall)

Enter desired minimal spacing here: \_\_\_\_\_ + \_\_\_\_\_ =

Distance B

4' bench with Standard trellis, add 19 1/4"

5' bench with Standard trellis, add 25 1/4"

4' bench with TriLock™ trellis, add 20 1/2"

5' bench with TriLock™ trellis, add 26 1/2"

### C. Bench to Bench Spacing

(Distance between two adjacent benches when they are rolled away from each other - requires a minimum desired aisle width of 17")

Enter desired aisle width here: \_\_\_\_\_ + \_\_\_\_\_ =

Distance C

Standard trellis, 4' bench to 4' bench spacing, add 31"

Standard trellis, 4' bench to 5' bench spacing, add 37"

Standard trellis, 5' bench to 5' bench spacing, add 43"

TriLock™ trellis, 4' bench to 4' bench spacing, add 33 1/2"

TriLock™ trellis, 4' bench to 5' bench spacing, add 39 1/2"

TriLock™ trellis, 5' bench to 5' bench spacing, add 45 1/2"

### D. Distance "L"

(Distance from Arch 1 leg mounting footplate to the last arch mounting footplate. Select from Appendix A based on the nominal bench length

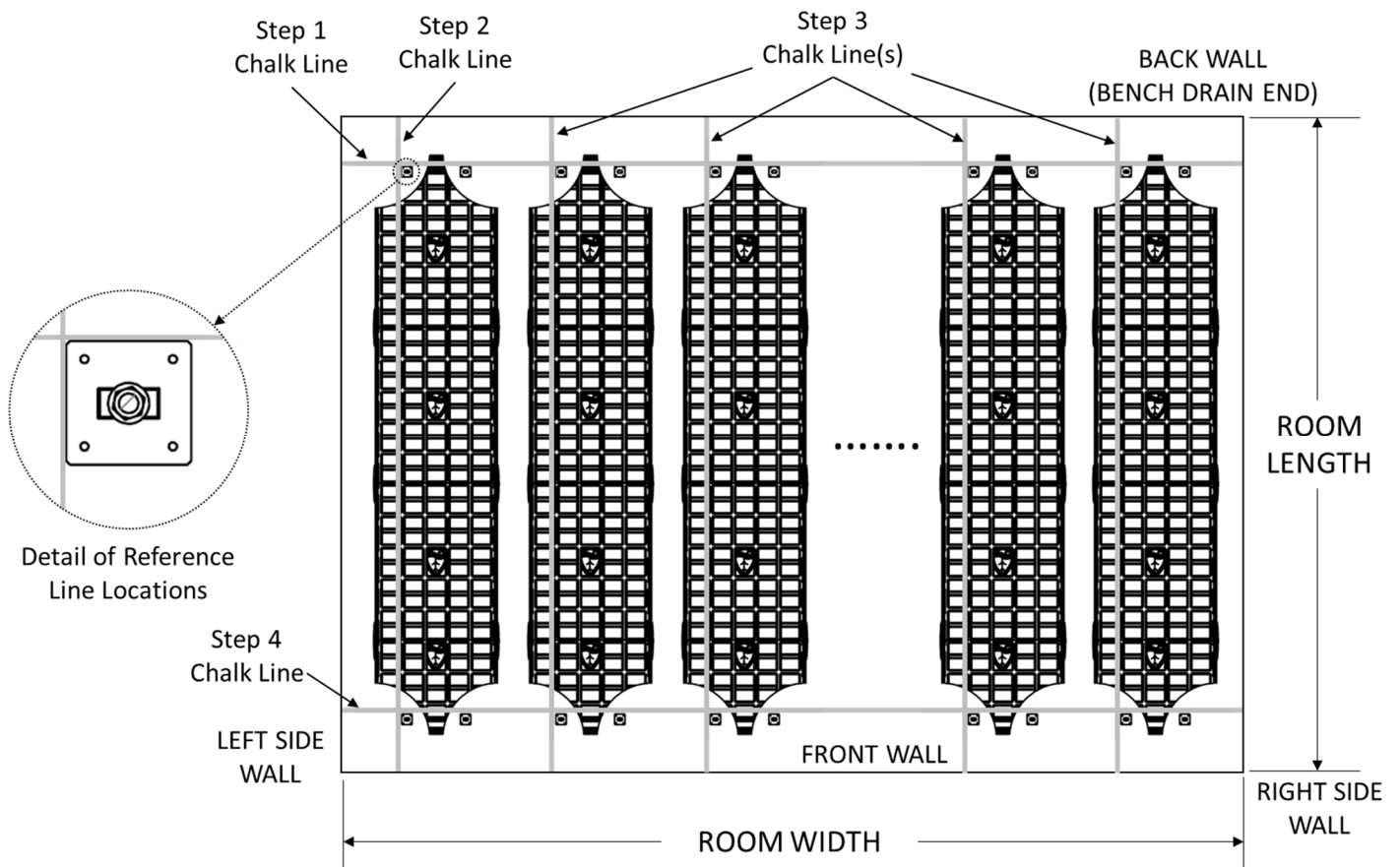
Distance L



Arches are nominally 60" from arch to arch. The last arch opposite the drain end is a short section. The short section can be 54", 42", 30" or 18" apart depending on the overall length of the bench.

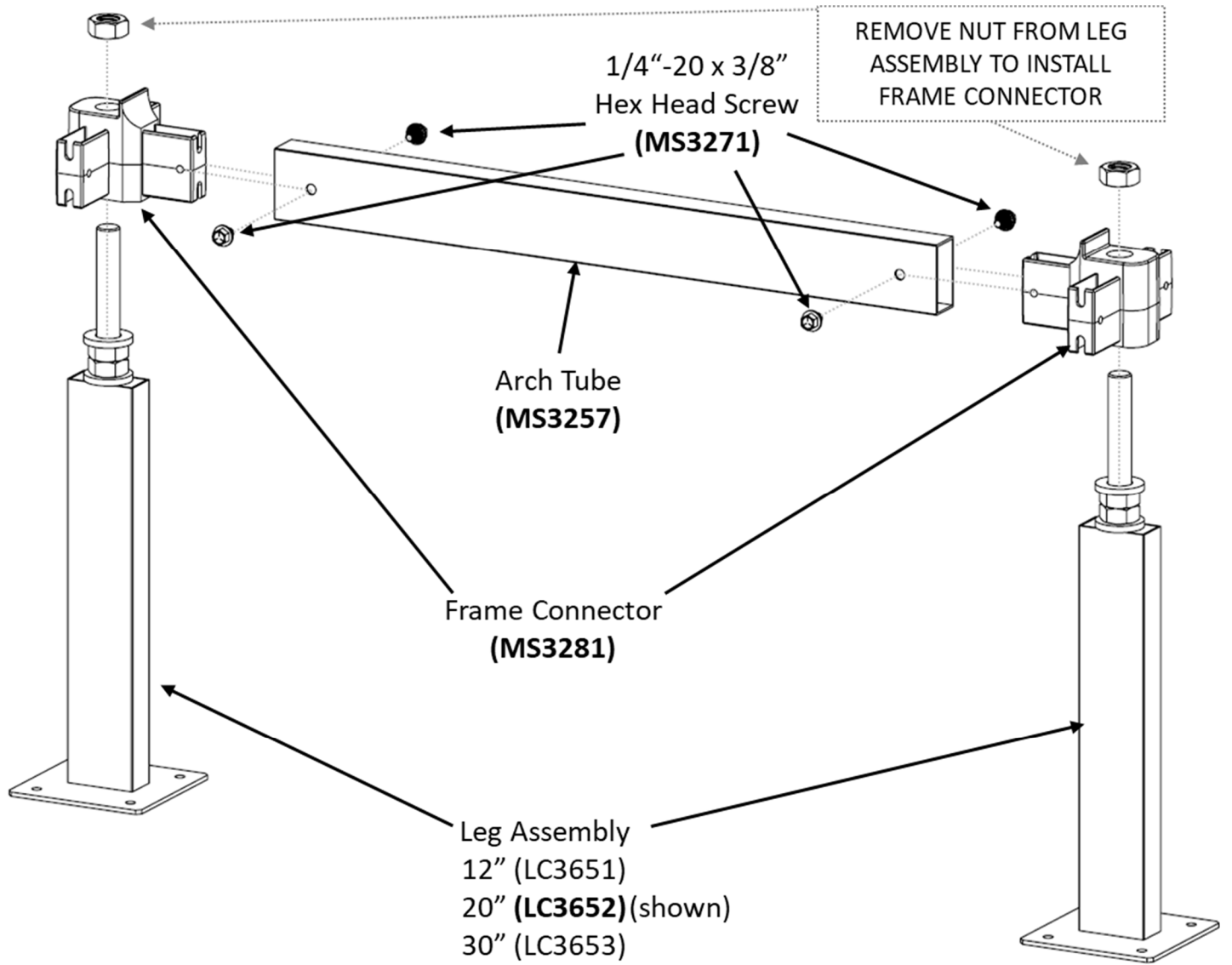
Lasering / Chalking the Room

1. Measure "Distance A" from the back wall (bench drain end); snap a chalk line or use a layout laser along the back wall from left to right. This will determine the location of the footplate of the first arch.
2. Measure "Distance B" from the left wall; snap a chalk line or use a layout laser along the left wall from back to front. This will determine the location of the footplates of the first bench.
3. Measure "Distance C" from the line created in step 2, snap a parallel chalk line from back to front. Repeat as necessary based on the number of benches in the room.
4. Measure "Distance L" from the line created in step 1, snap a parallel chalk line. This will determine the location of the footplate of the last arch.

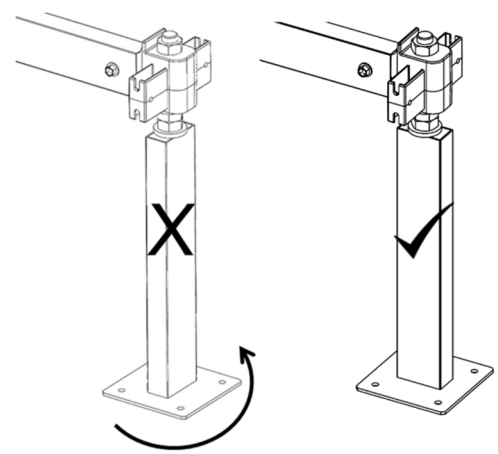


## Step 2. Arch Assembly

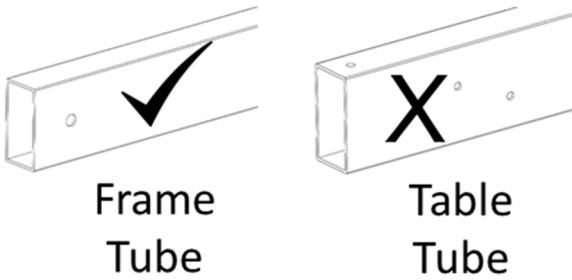
The leg assemblies come partially pre-assembled. Remove the top nut from the leg assembly, add the frame connector, and reattach the top nut to assemble the leg. Attach the arch tube to the frame connector with 1/4"-20 x 3/8" hex head screws.



**i** If the bench is to be sloped, use the tables provided in Appendix B to roughly assemble each arch with the approximate height needed to achieve the slope.



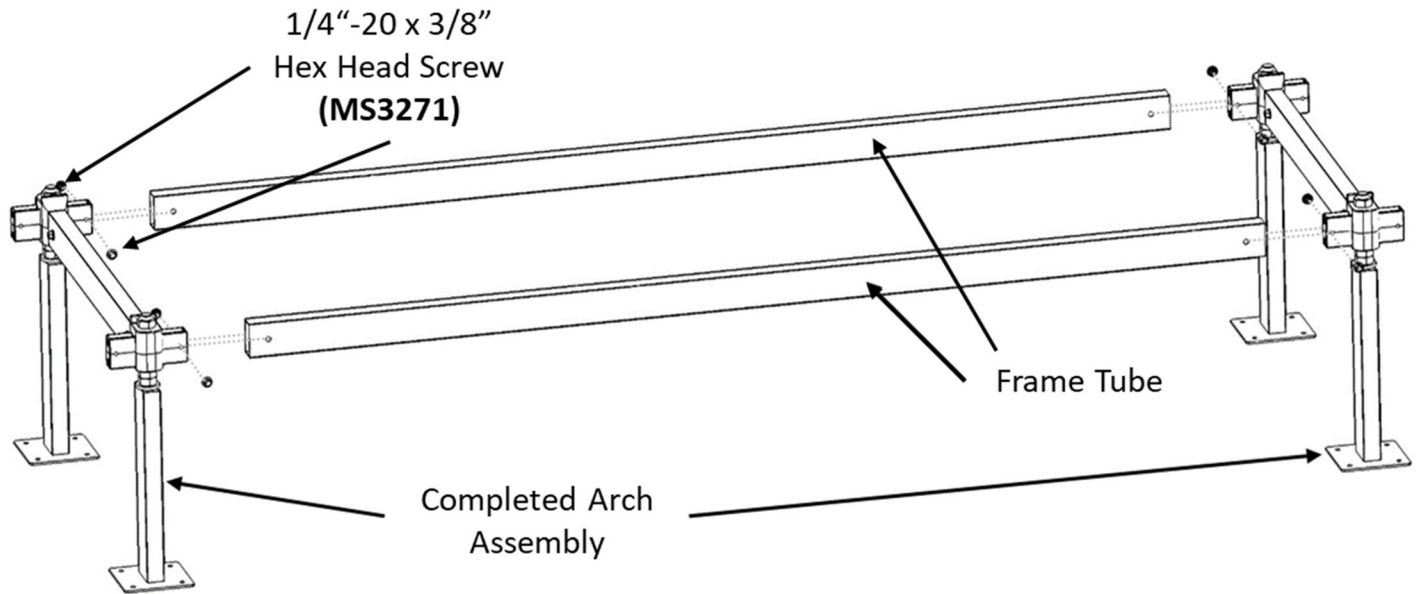
**Step 3. Frame Assembly**



**i Assemble the frame in roughly the final position that it will be in the room.**

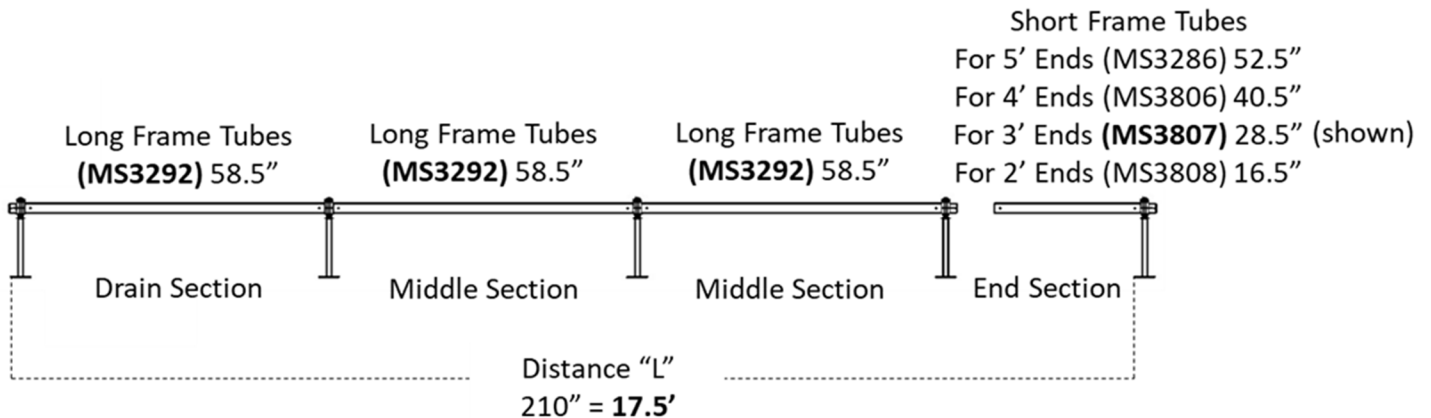
**i Start with the end of the bench where the drain will be located.**

Use 1/4-20 x 3/8" hex head screws to assemble the frame tubes to the arch assemblies.



**i The short section is always at the end opposite of the drain section.**

Once the frame is assembled, confirm Distance "L" between the first and last arch assembly is correct. Refer to the shipping paperwork to determine which short frame tubes are needed based on the end section required.



## Step 4. Anchor Frame



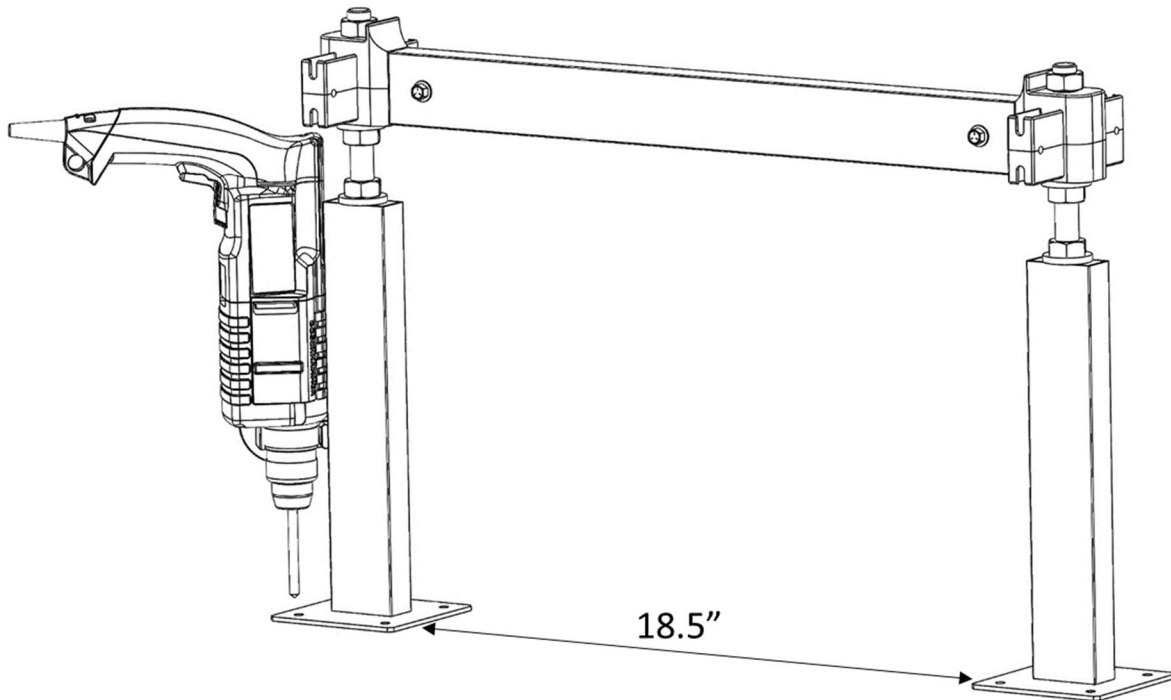
Follow anchor manufacturer's instructions to properly drill and install anchors.



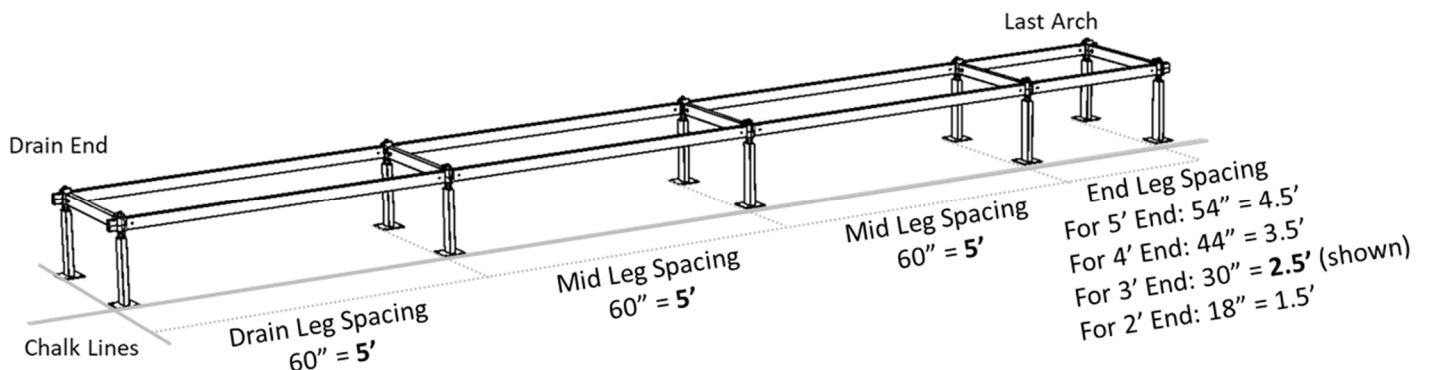
All leg-mounting locations must have the anchors installed and properly tightened to prevent damage to the bench or a component failure that could result in personal injury.



Do not drill into post tension slabs.

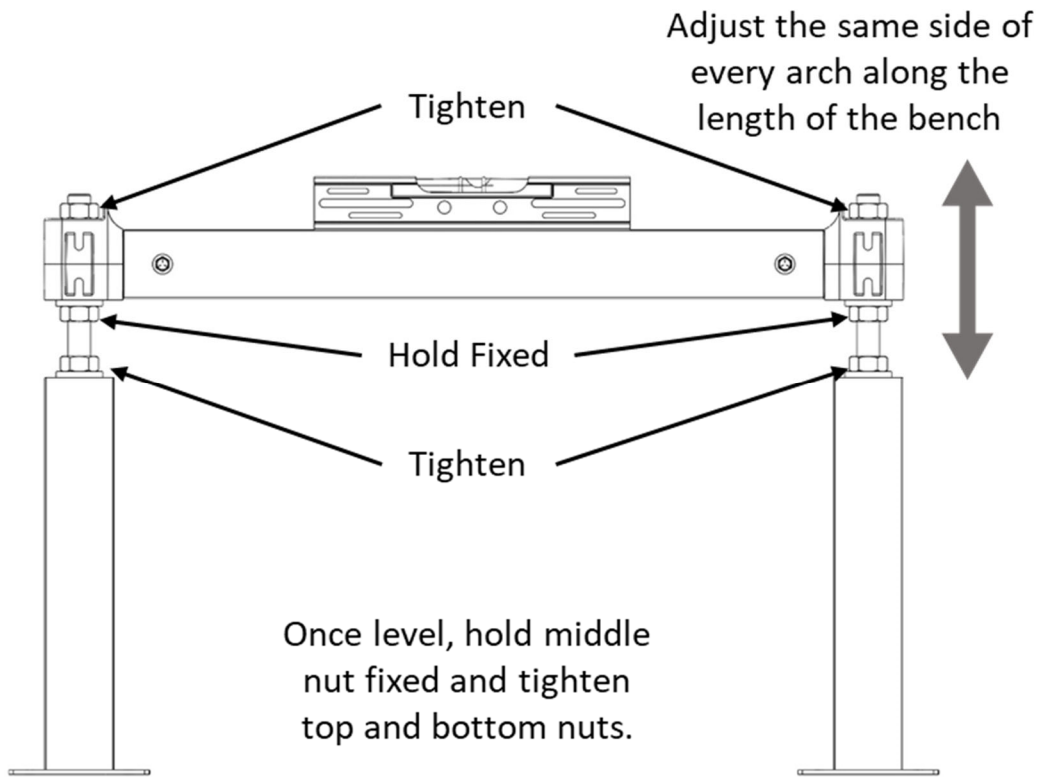


At this stage, the bench frame should be completely assembled (see image below). Align edge of footplates to chalk lines from Step 1, drill and install anchors starting at the drain end and working towards the last arch. Be sure to confirm the distances between arches are correct before anchoring.

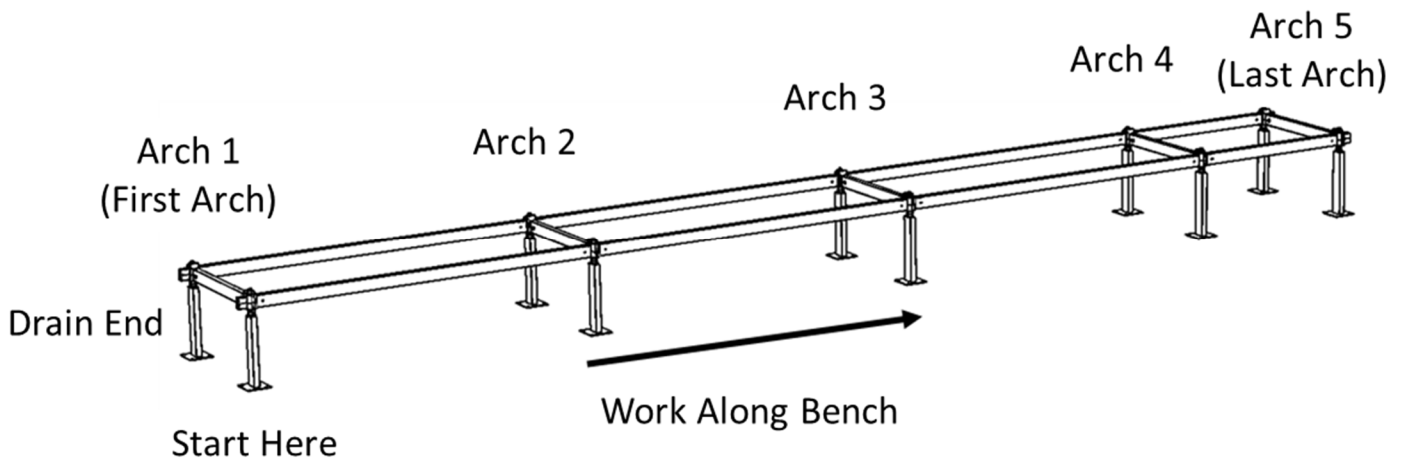


**Step 5. Level Frame**

By now, each arch assembly should be close to their final height if slope is required after Step 2. It is recommended to label each leg, starting with “1” for the first arch on the drain end and increasing in number until the last arch. Starting at the drain end, level the arch assembly by bringing the low side up so that the table does not roll to the low side once installed.



Continue leveling arch assemblies moving from the drain end towards the last arch assembly. When completed, every arch assembly should be level from left to right even if the floor is not level. If drainage is required, the frame tubes between arches should slope downward from the last arch assembly to the first arch assembly (drain end) according to the charts in Appendix B.

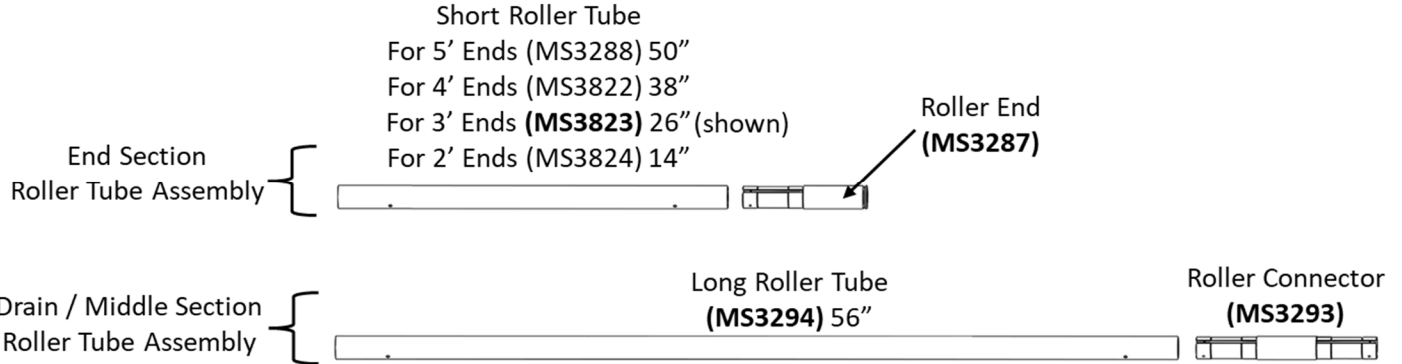




## Step 6. Roller Tube Assembly

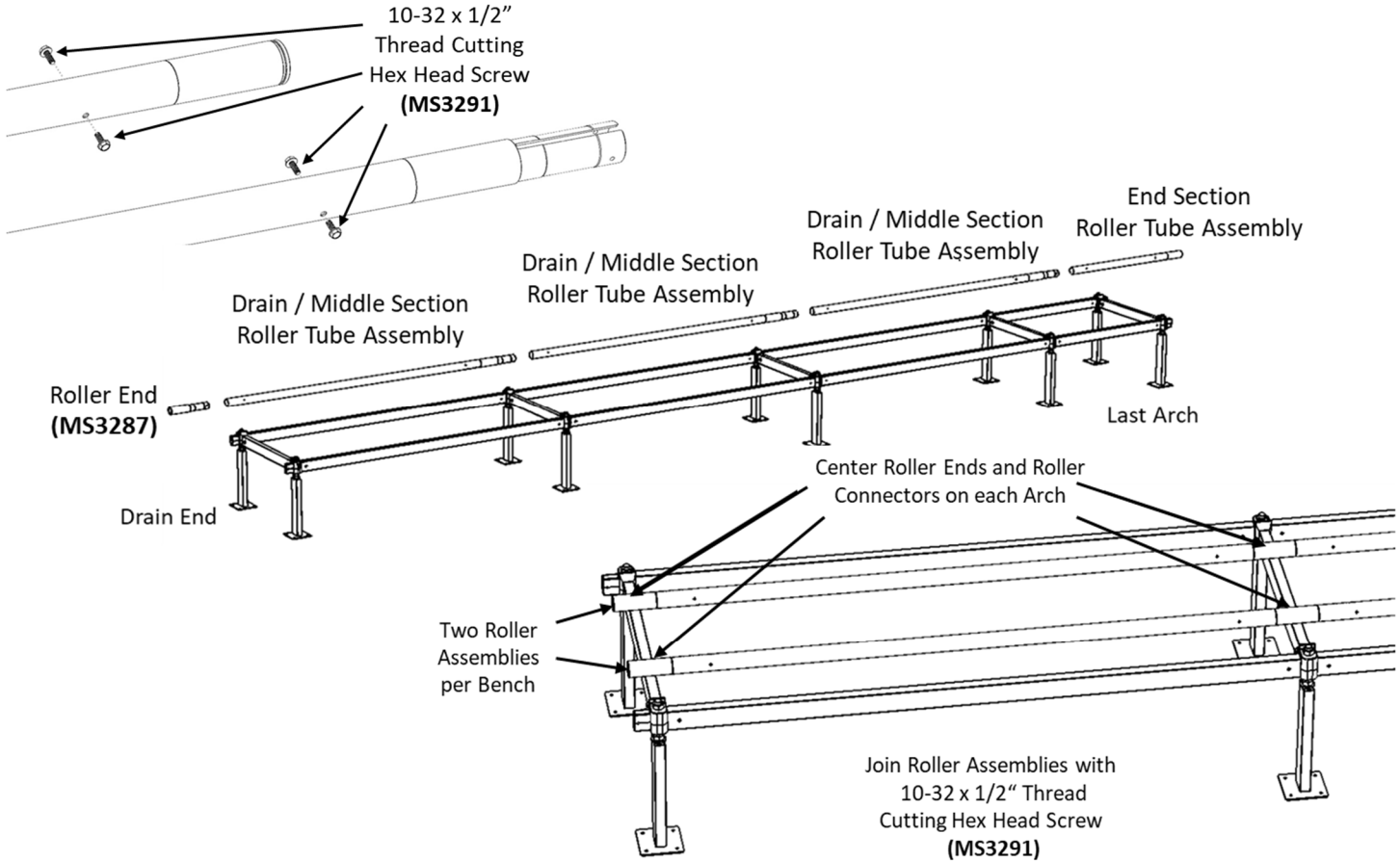
Attach one roller end to one end of each short roller tube using 10-32 x 1/2" thread cutting hex head screws.

Attach one roller connector to one end of each long roller tube using 10-32 x 1/2" thread cutting hex head screws.



 Use drill with clutch! Do not overtighten screws as this will strip the threads.

 Continue making these subassemblies in batches to save on overall assembly time.

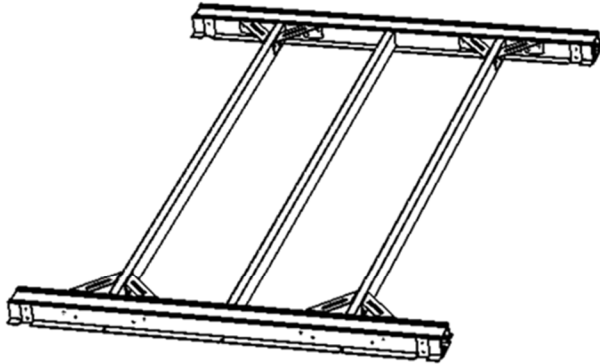




## **Step 7. Table Assembly**

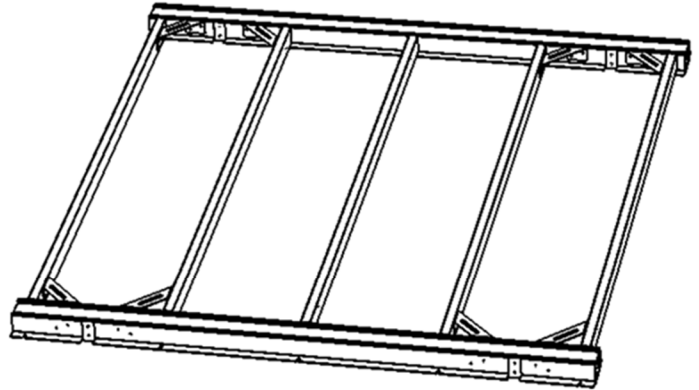


**The 4' wide table section requires 3 Table Tubes.  
The 5' wide table section requires 5 Table Tubes.  
See image below for reference.**



4' Wide Table Section

**Skip to Step 7a (page 22)**



5' Wide Table Section

**Skip to Step 7b (page 25)**

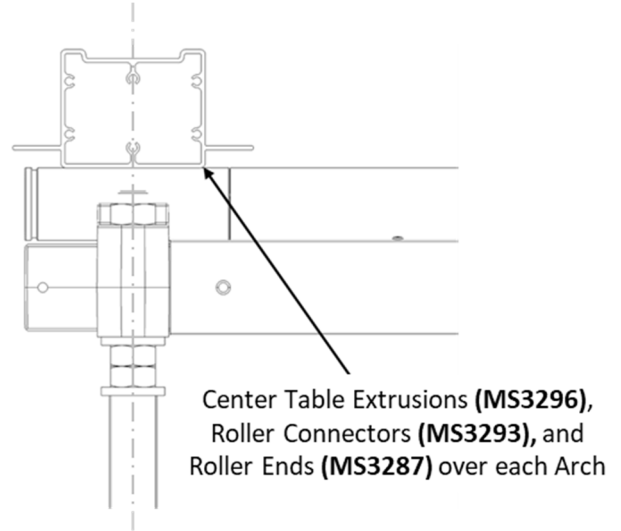
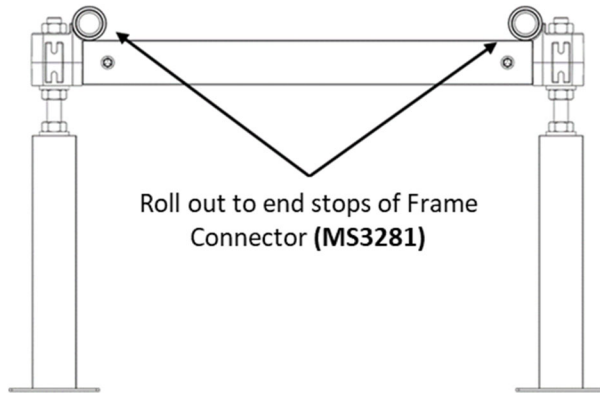
## Step 7a. Table Assembly (4' Wide Bench Only)



For 5' wide benches skip to **Step 7b.**



Roll each roller assembly to the outside stops to provide a stable platform for assembly of the table.



Use drill with clutch! Do not overtighten screws as this will strip the threads.

Attach corner brackets to the table tubes



Only 2 of every 3 table tubes get corner brackets attached.

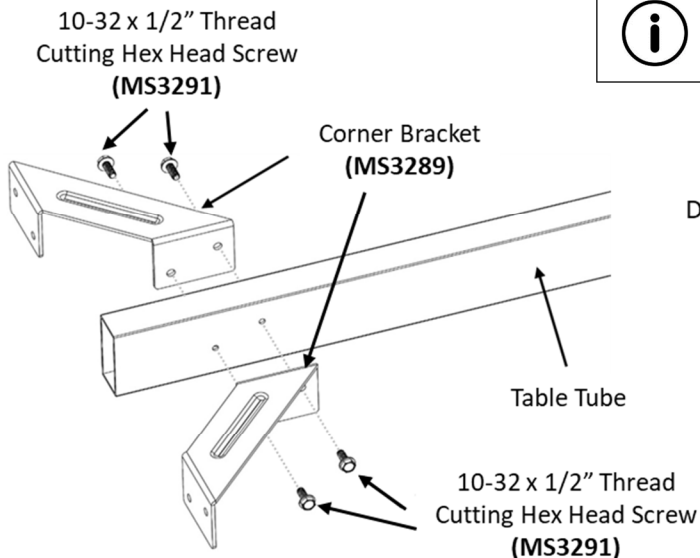
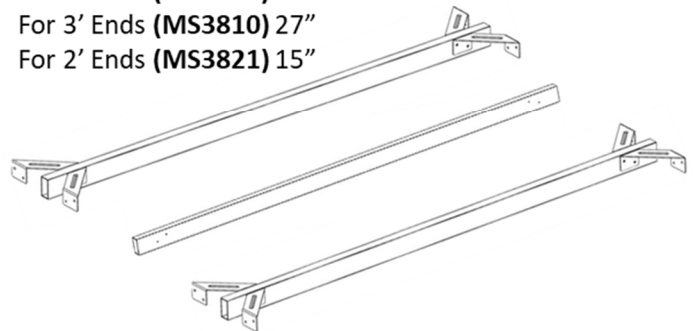
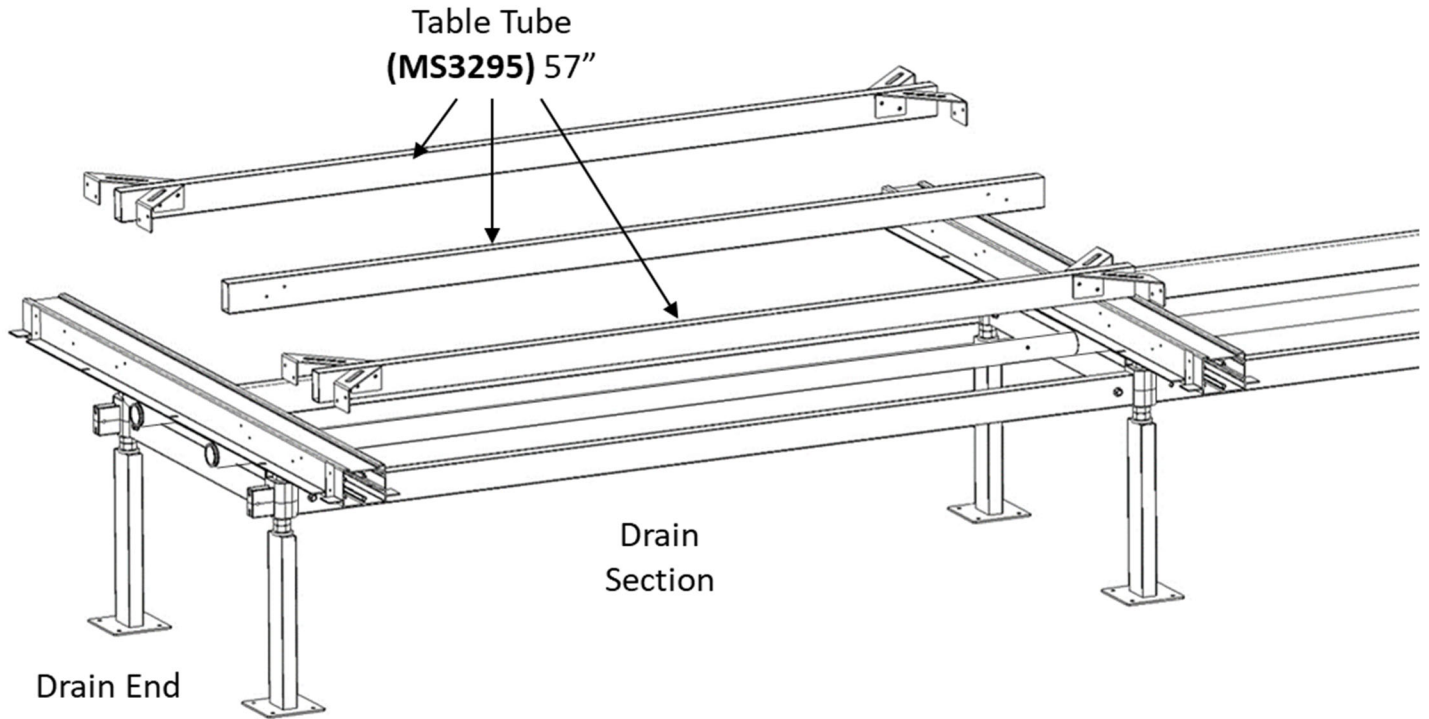


Table Tubes  
Drain/Middle Sections (MS3295) 57"

For 5' Ends (MS3290) 51"  
For 4' Ends (MS3809) 39"  
For 3' Ends (MS3810) 27"  
For 2' Ends (MS3821) 15"



Assemble the tabletop in sections as you continue to work down the length of the bench.

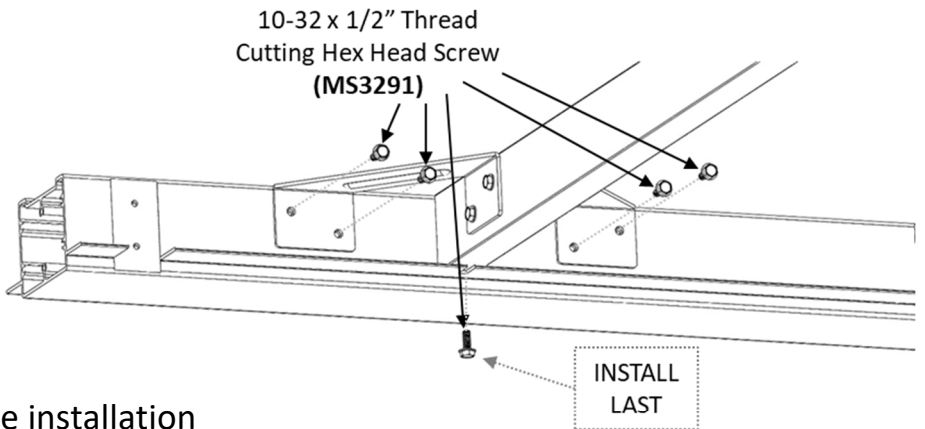


**Use drill with clutch! Do not overtighten screws as this will strip the threads.**

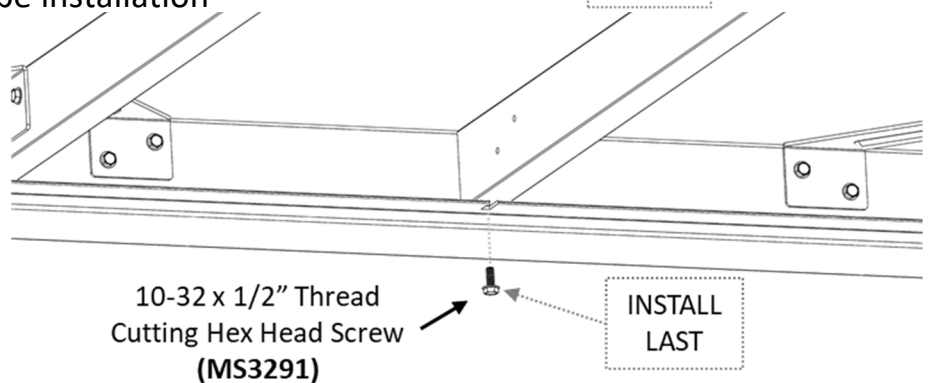


**Install bottom screws last for a better fit between tubes and extrusion.**

Install outer tubes first

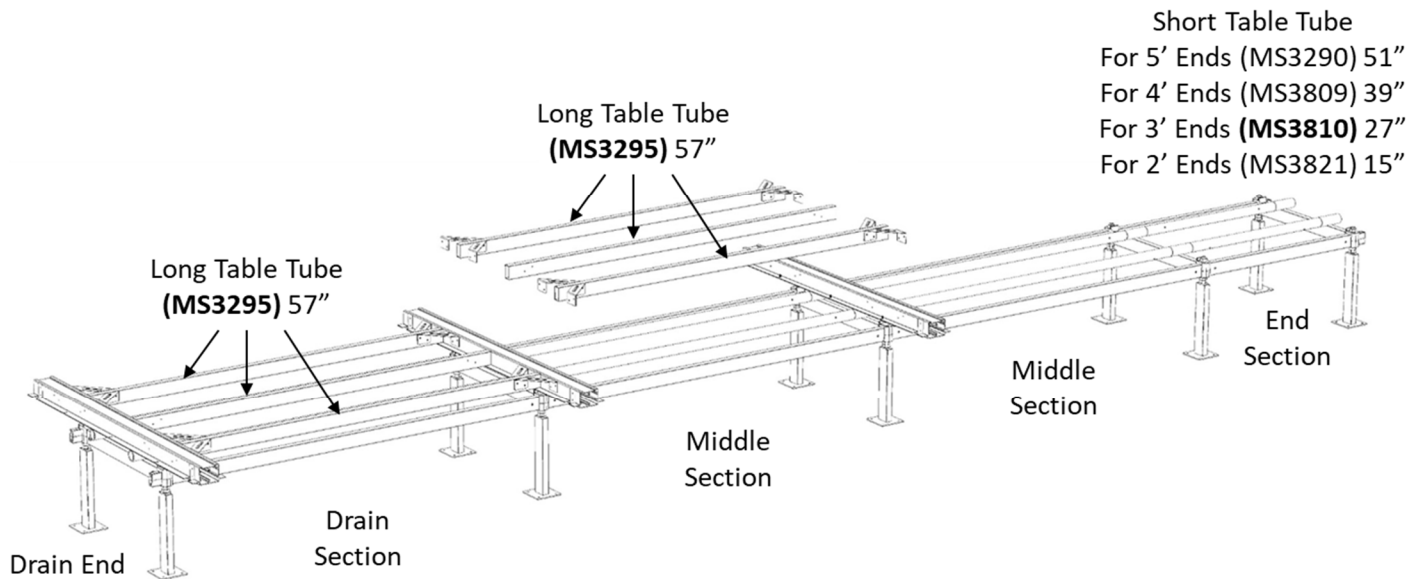


Install middle tube after outer tube installation





**At this stage of assembly, the table is resting on the rollers. If moved off center or if weight is placed on one side, the table could tip off the rollers and frame causing damage or injury.**



Repeat the assembly steps as described in this step for subsequent sections until you reach the end of the bench. The end section will use table tubes that are shorter than the drain section and middle section(s).

If you are not required to build any 5' wide table, move on to [Step 8](#).

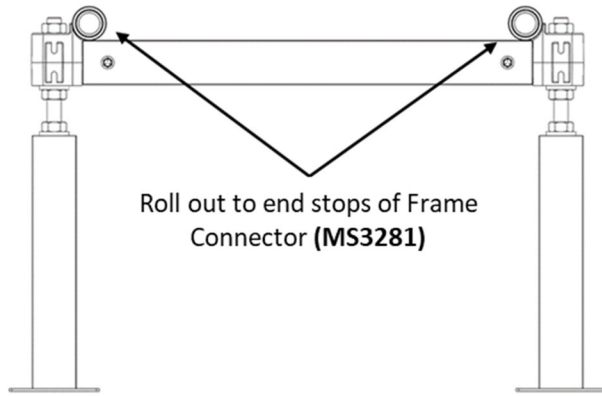
## Step 7b. Table Assembly (5' Wide Bench Only)



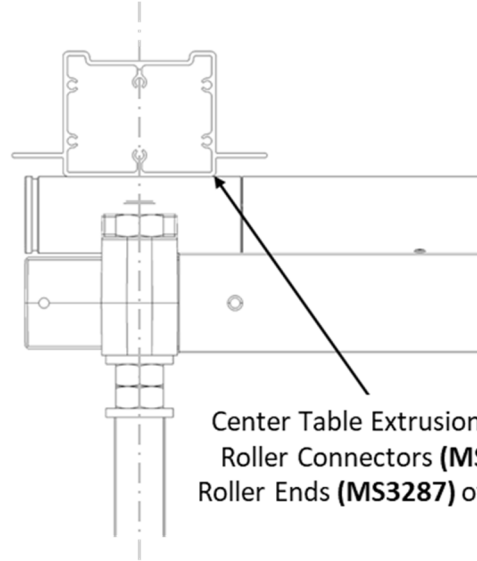
For 4' wide benches go back to **Step 7a.**



Roll each roller assembly to the outside stops to provide a stable platform for assembly of the table.



Roll out to end stops of Frame Connector (MS3281)



Center Table Extrusions (MS3431), Roller Connectors (MS3293), and Roller Ends (MS3287) over each Arch



Use drill with clutch! Do not overtighten screws as this will strip the threads.

Attach corner brackets to the table tubes



Only 4 of every 5 table tubes get corner brackets attached.

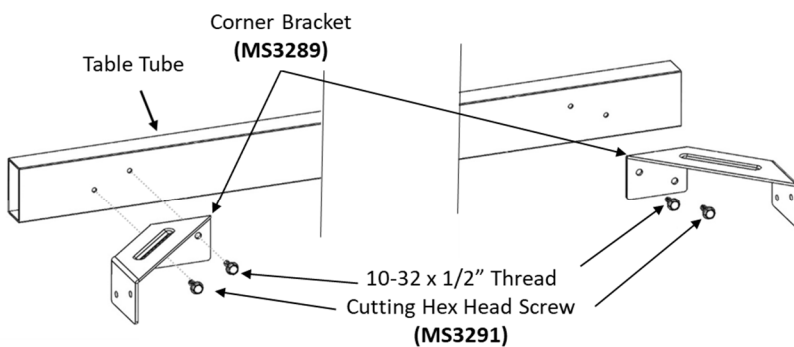


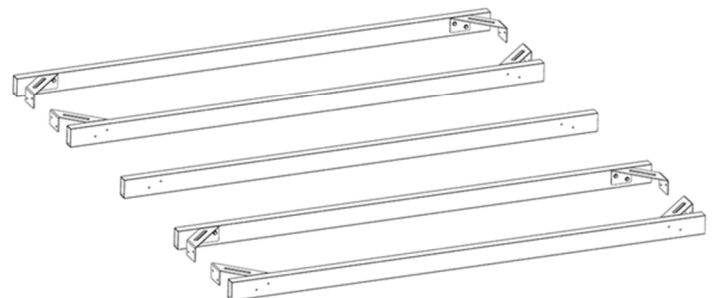
Table Tubes  
Drain/Middle Sections (MS3295) 57"

For 5' Ends (MS3290) 51"

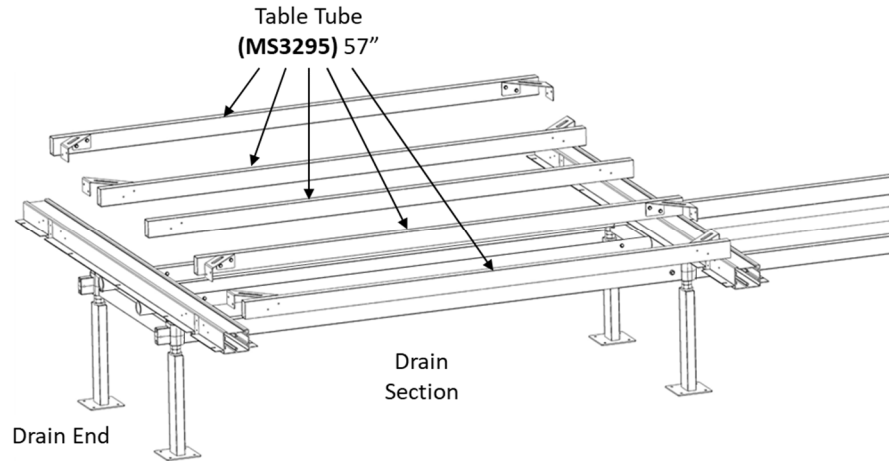
For 4' Ends (MS3809) 39"

For 3' Ends (MS3810) 27"

For 2' Ends (MS3821) 15"



Assemble the tabletop in sections as you continue to work down the length of the bench.

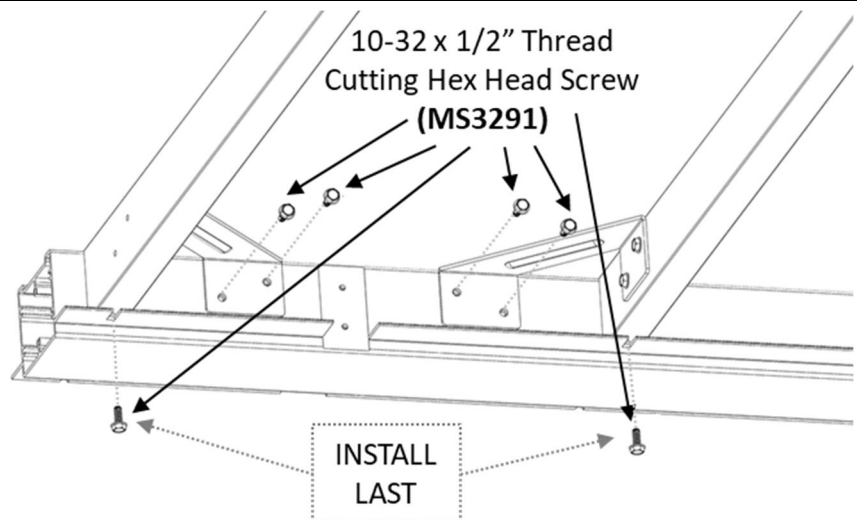


**Use drill with clutch! Do not overtighten screws as this will strip the threads.**

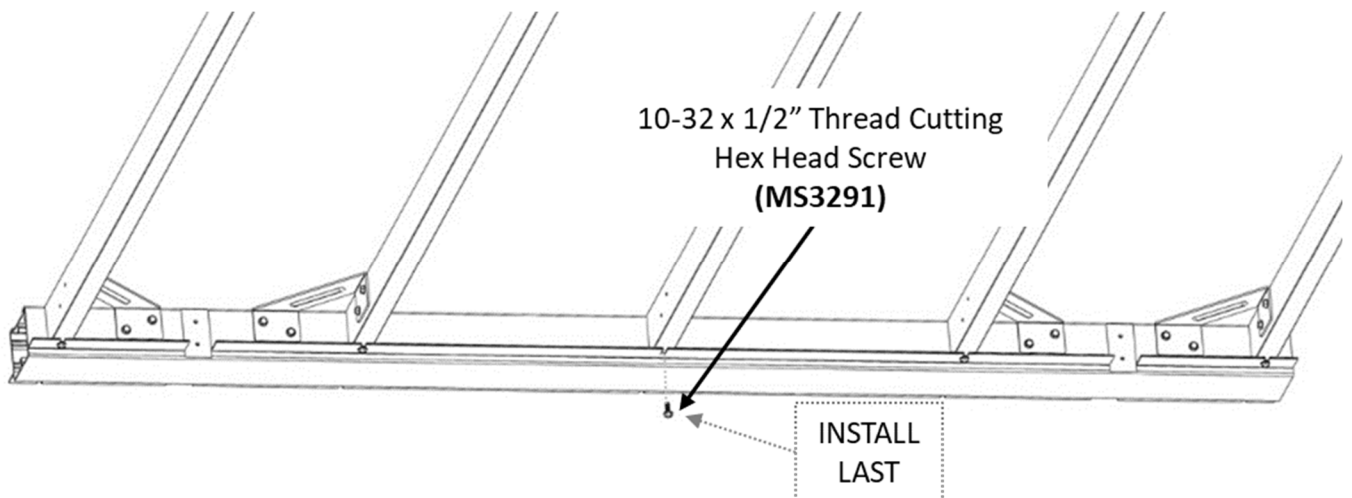


**Install bottom screws last for a better fit between tubes and extrusion.**

Install outer tubes first

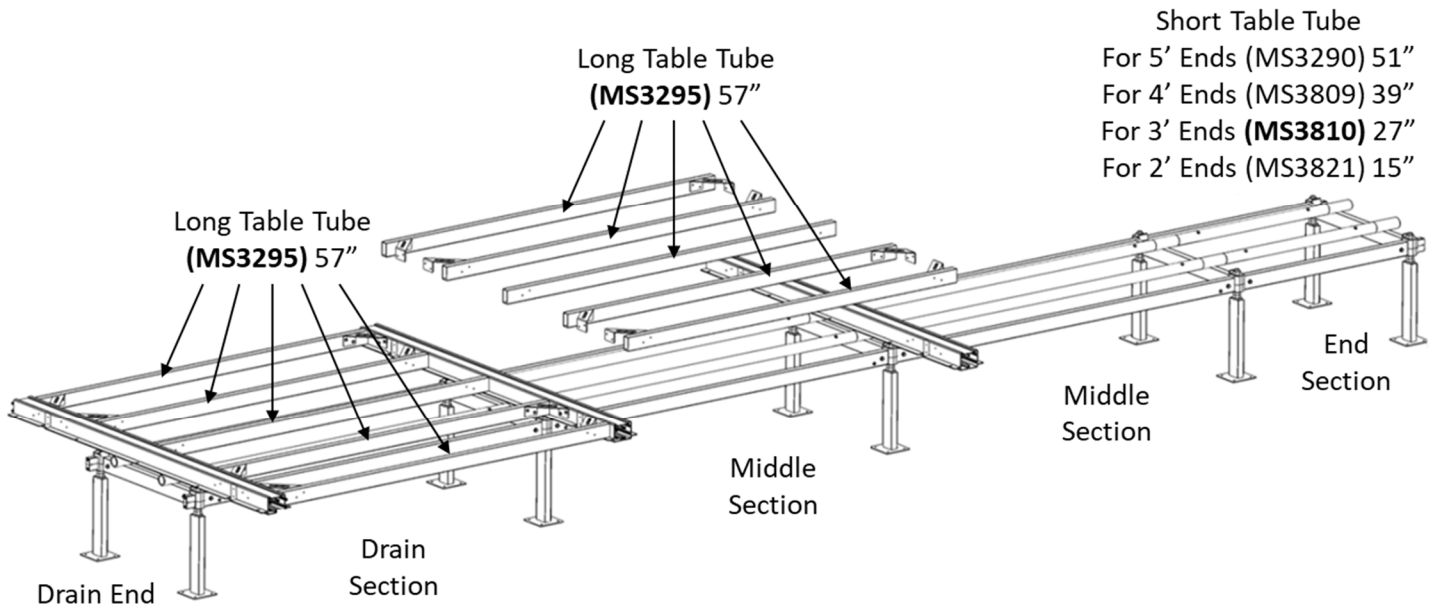


Install middle tube after outer tubes





At this stage of assembly, the table is resting on the rollers. If moved off center or if weight is placed on one side, the table could tip off the rollers and frame causing damage or injury.

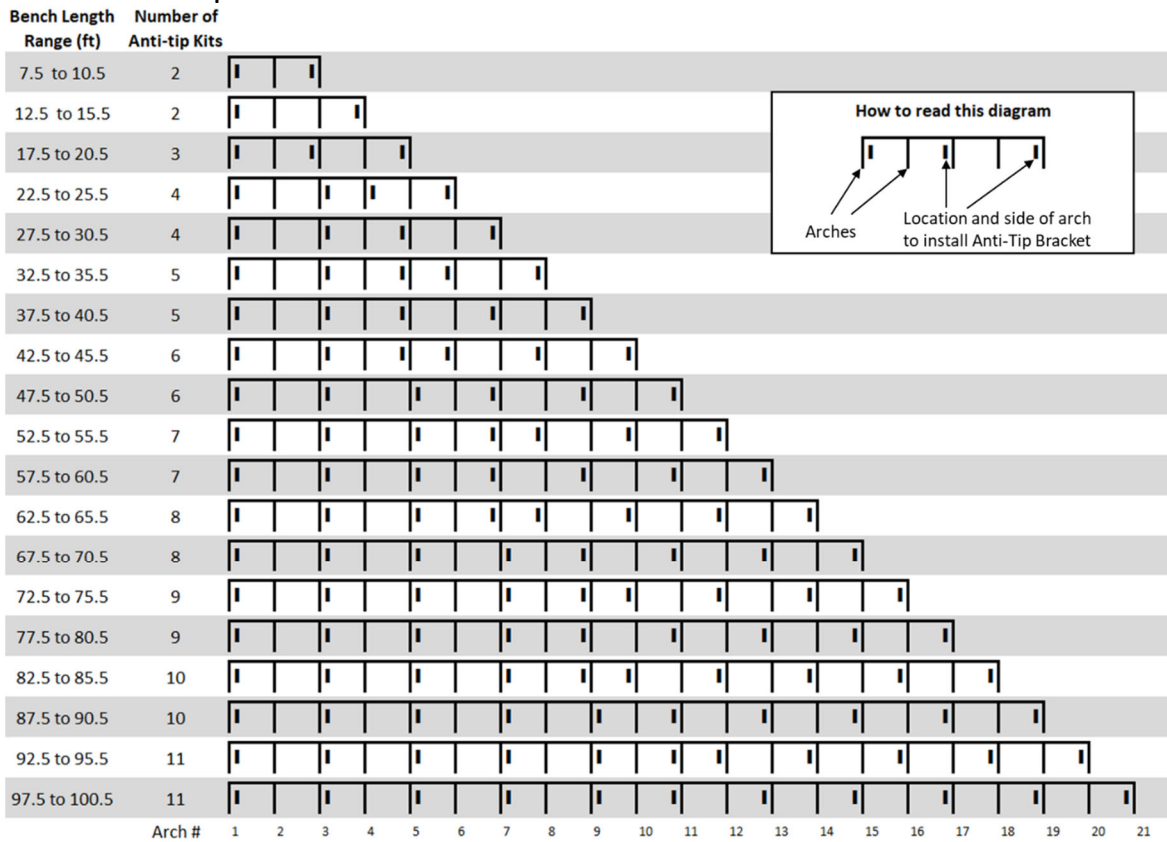


Repeat the assembly steps as described in this step for subsequent sections until you reach the end of the bench. The end section will use table tubes that are shorter than the drain section and middle section(s).

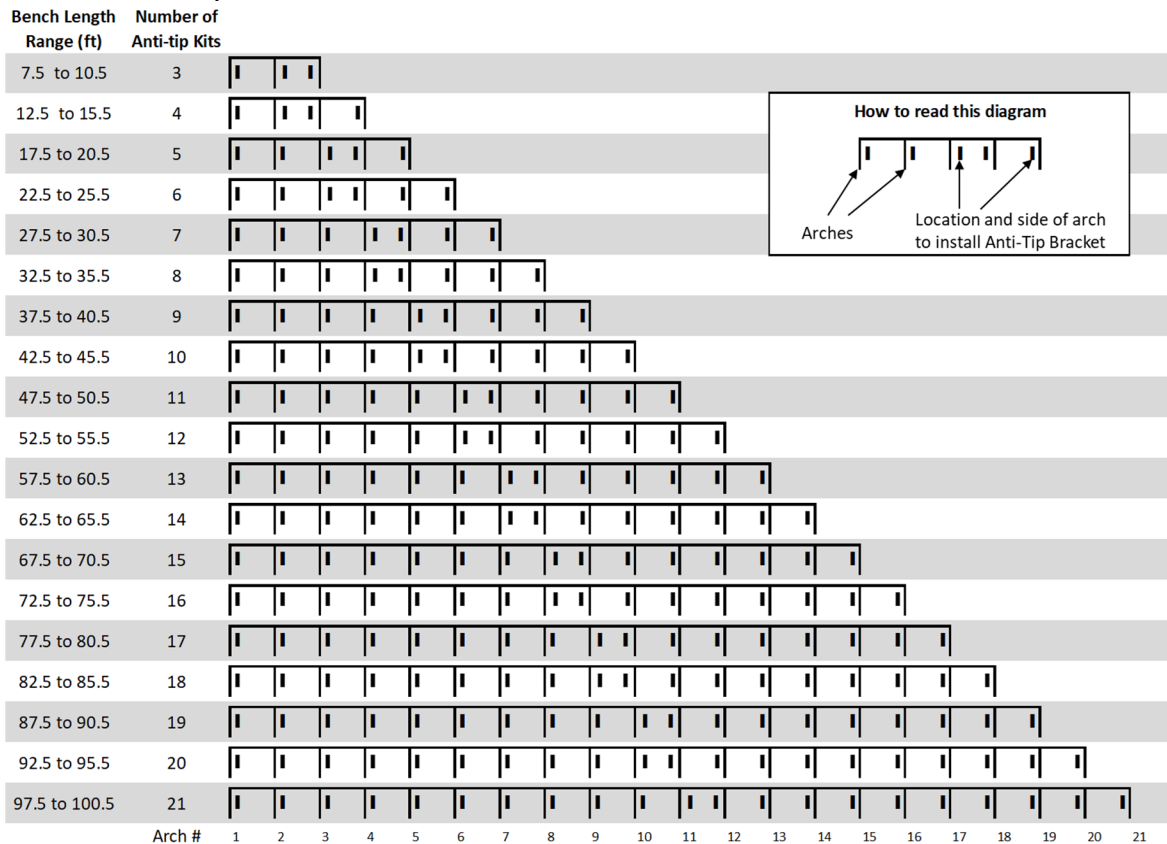
## Step 8. Installation of Anti-Tip

4' and 5' wide systems have different quantities of anti-tips installed.

**4' Bench:** Install anti-tip brackets at the arch locations shown in the below chart.

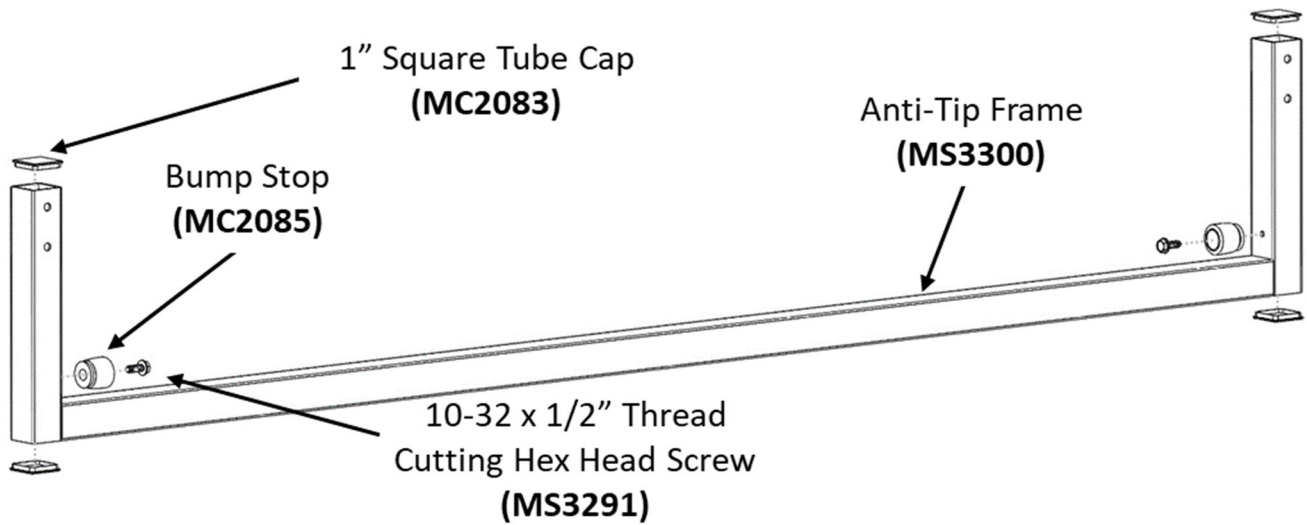


**5' Bench:** Install anti-tip brackets at the arch locations shown in the below chart.



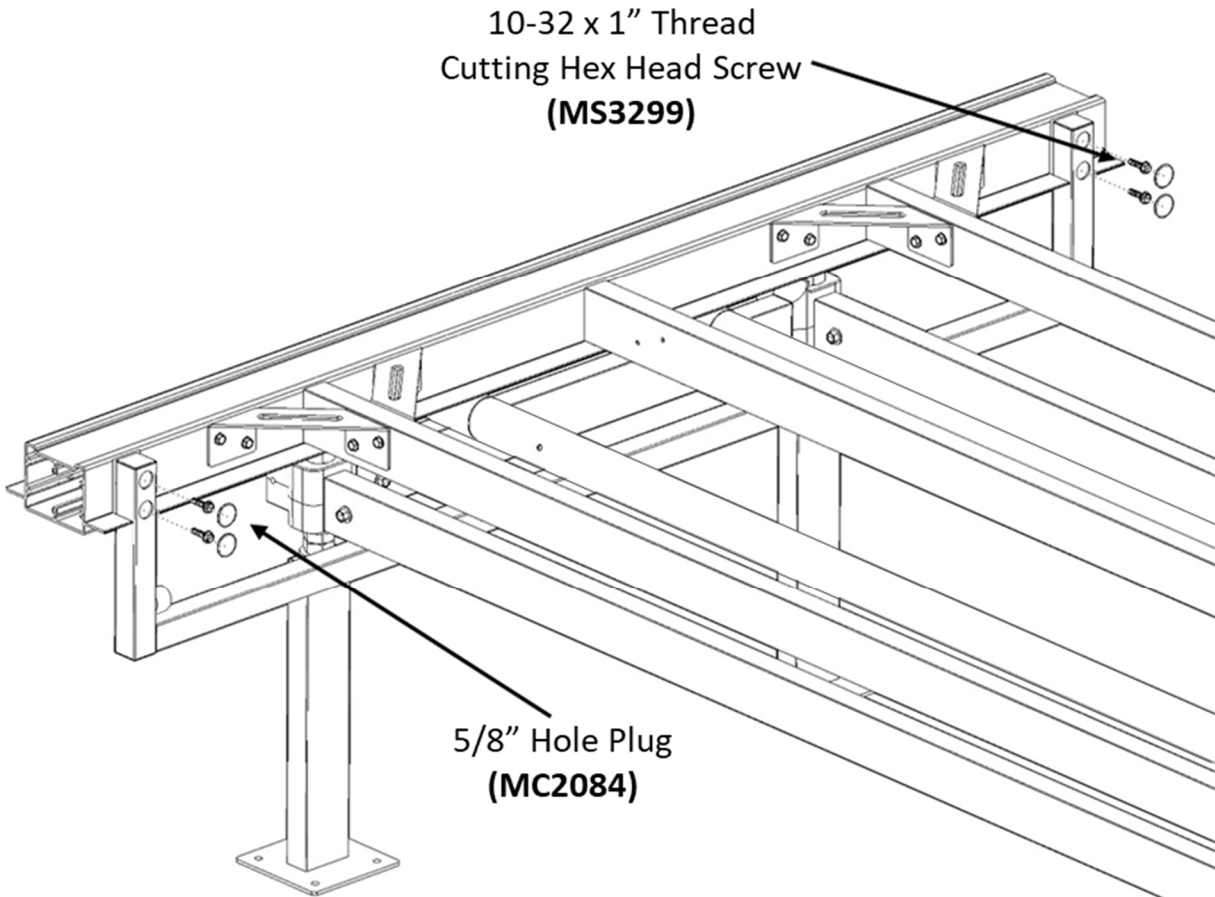


Create anti-tip assemblies as shown below.



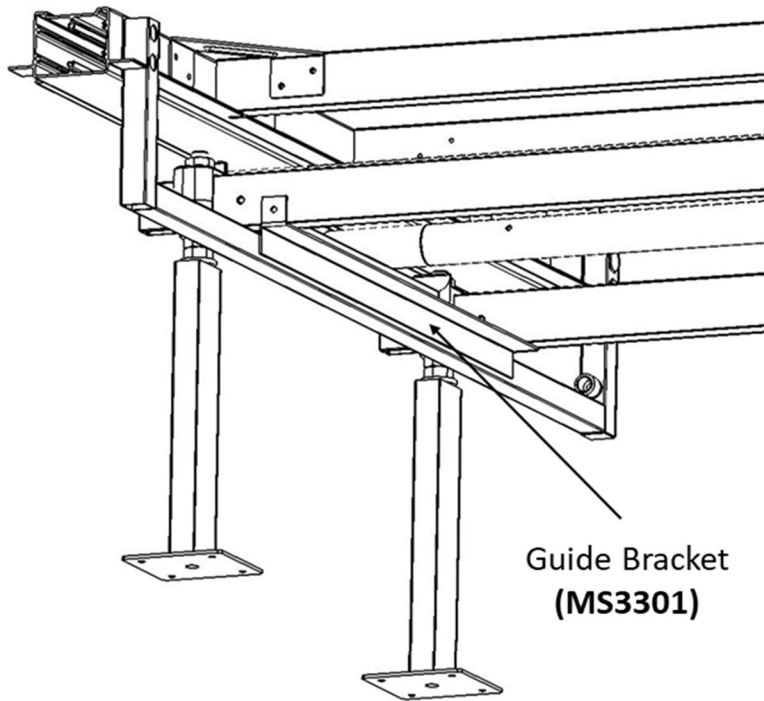
Install the anti-tip assemblies as described on the previous page.

**i** The screws used for installing the anti-tip assemblies to the table extrusions are 1" in length, not 1/2" in length.





The guide bracket prevents the table from shifting towards the drain over time due to the bench rolling back and forth on a slope. A properly installed guide bracket is critical for bench performance.



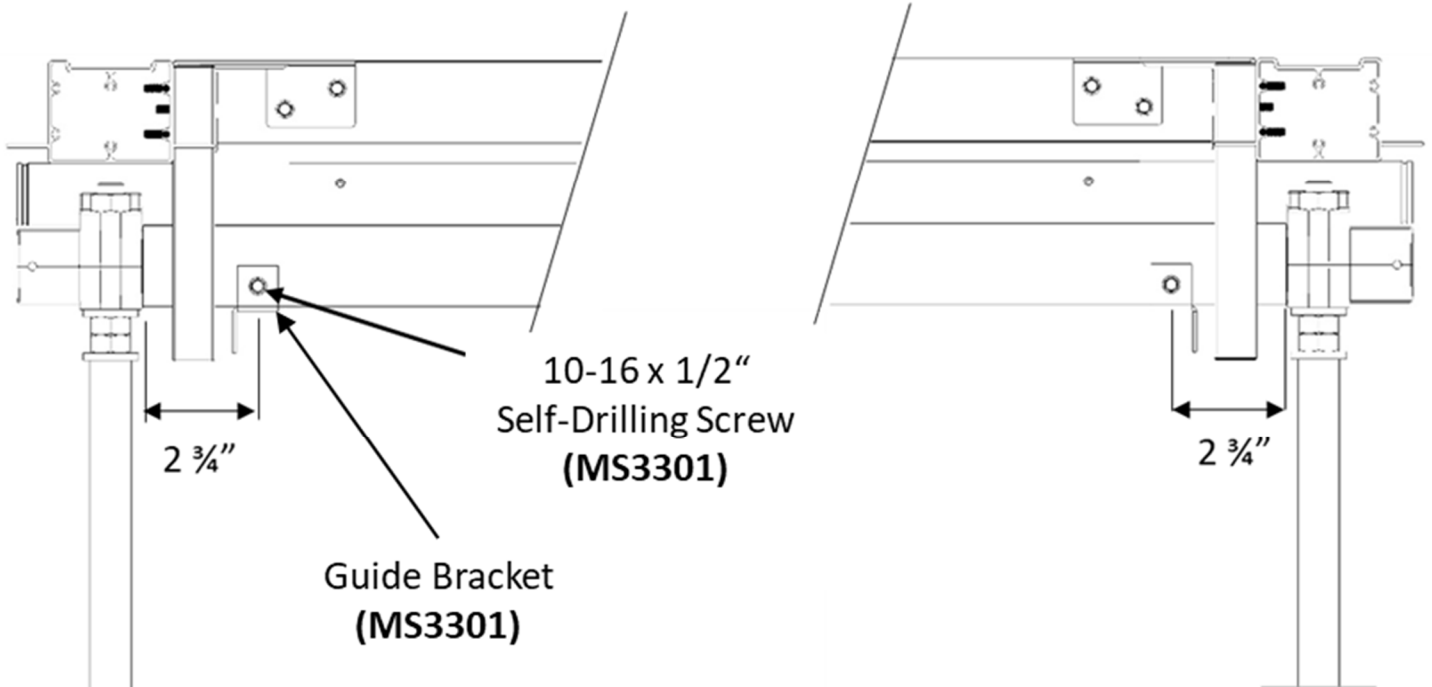
There are no manufactured holes on the frame tubes for this screw. The screws used for installing the guide bracket are self-drilling and will create their own hole.



For 5' benches, Botanicare® recommends installing every other guide bracket to save on overall install time. Installing every anti-tip frame is still recommended.

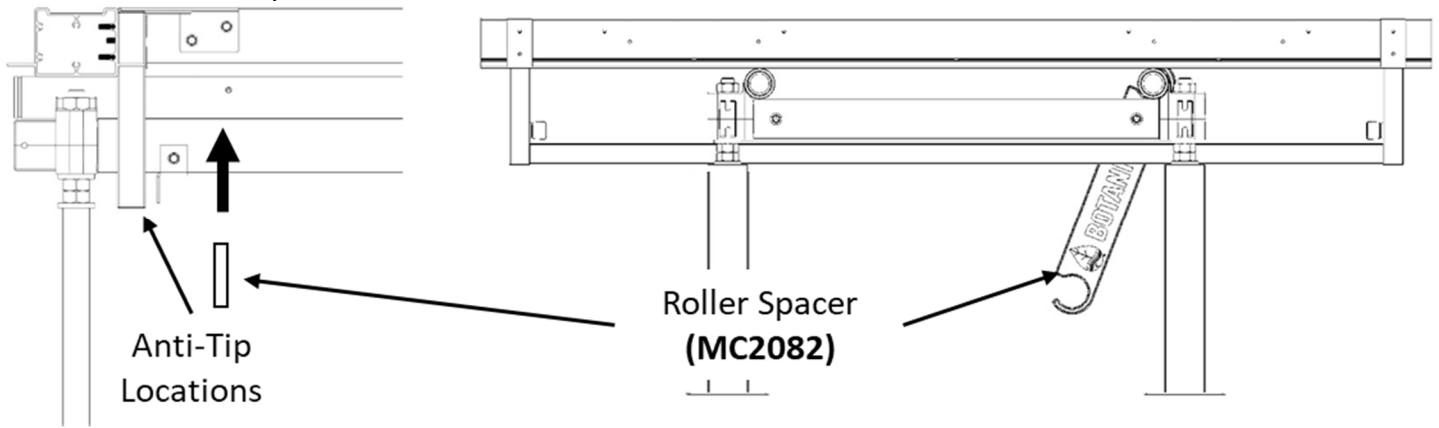
Drain End

Last Arch



### **Step 9. Installation of Roller Spacers**

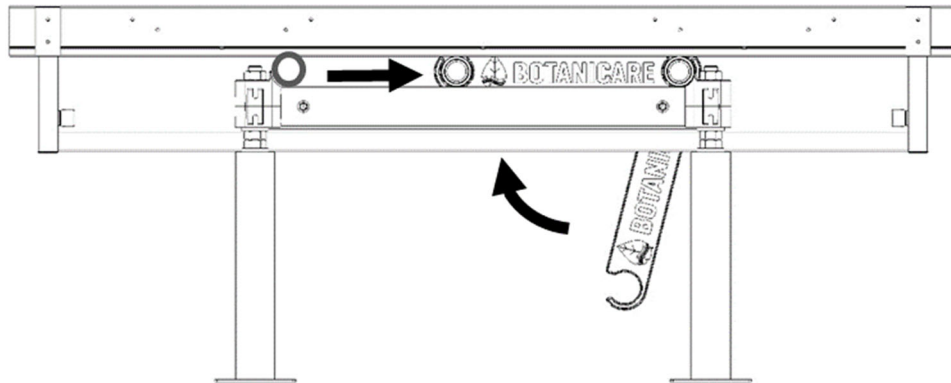
Roller spacers are installed at every anti-tip location. They snap over the roller tubes. Snap one end of the roller spacer onto a roller tube.



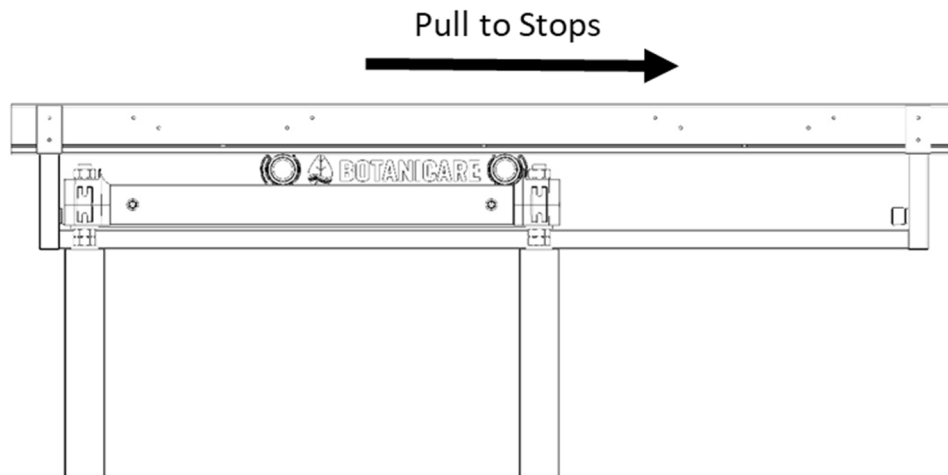
Pull the other roller tube toward the roller spacer. Snap the other end of the roller spacer onto the roller tube.



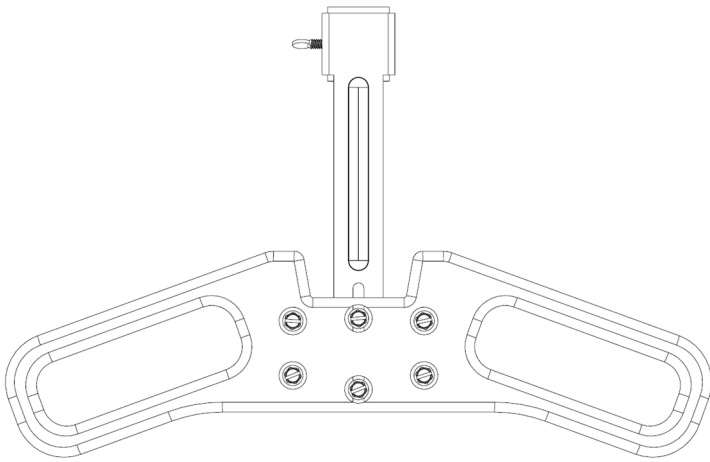
**Multiple people may be needed to move the roller tube into position. Be wary of pinch points when moving the roller tube.**



Pull the table all the way to one side. Make sure the roller connectors/ends reach all the way to the frame connector. You should have 17" of total travel for the table. Adjust as necessary to achieve full travel.

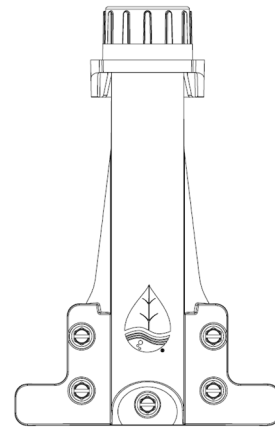


## **Step 10. Installation of Trellis Mounts**



**Standard Trellis Mount**

**Skip to Step 10a (page 32)**



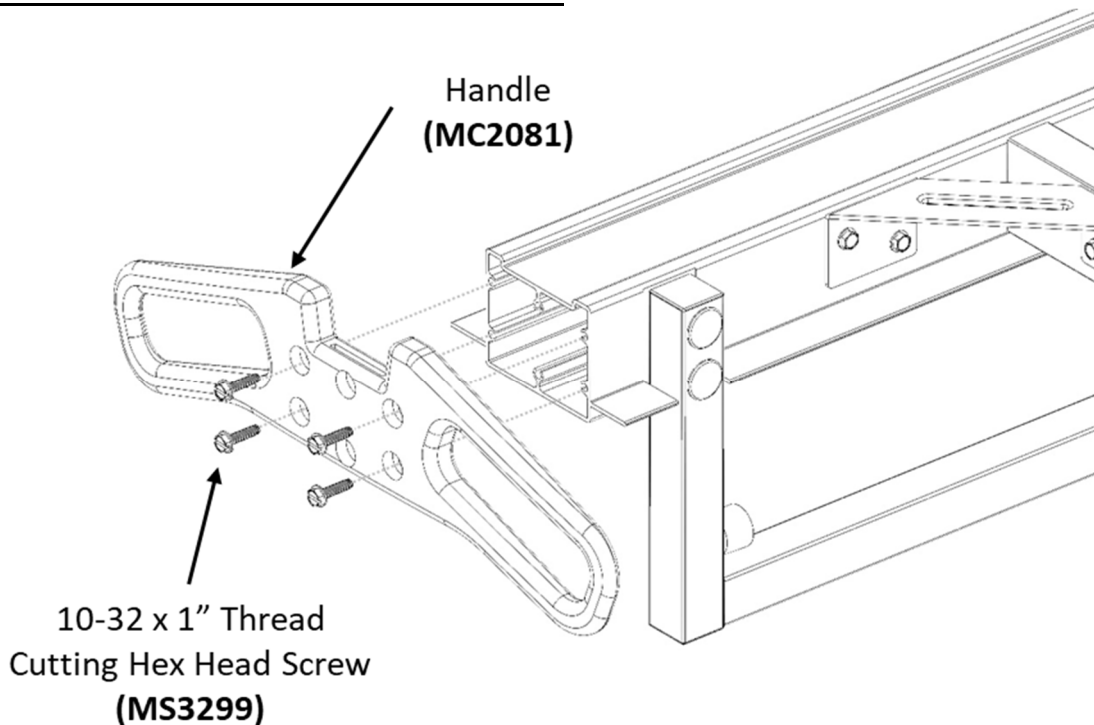
**TriLock™ Trellising Support**

**Skip to Step 10b (page 33)**



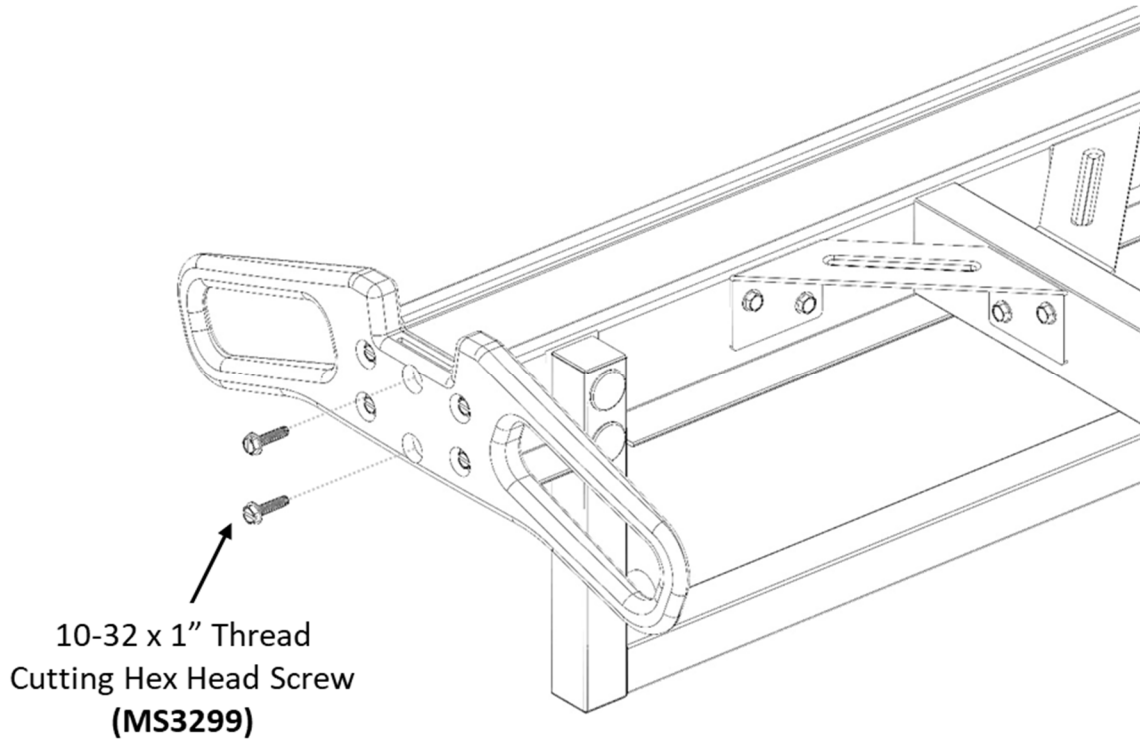
The screws used for installing both trellis mount options to the table extrusions are **1" in length, not 1/2" in length.**

### **Step 10a. Installation of Standard Trellis Mounts**



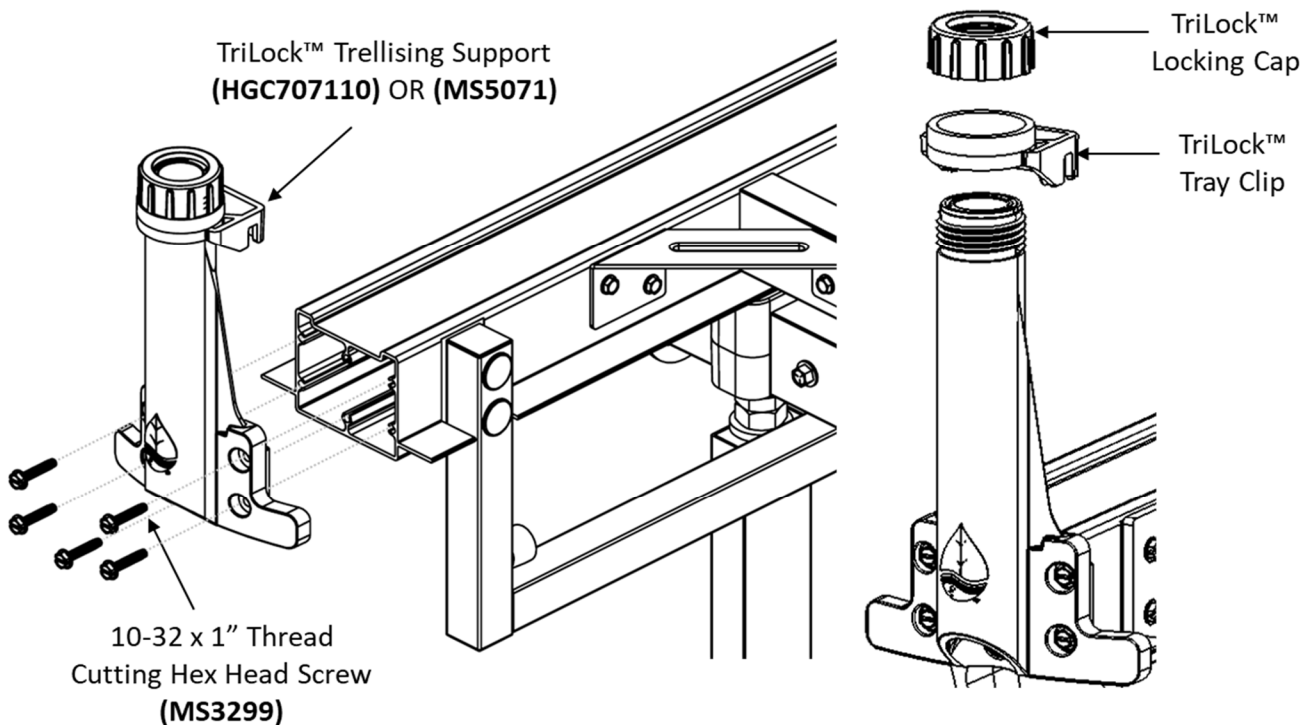


Install center screws last, leaving approximately 1/4" clearance for trellis bracket



### Step 10b. Assembly of TriLock™ Trellising Support

Install TriLock™ trellising support with 10-32 x 1" thread cutting hex head screws.



Remove the locking cap and tray clip from all TriLock™ trellising supports. Store these somewhere safe in preparation for the tray installation.



## Step 11. Tray Assembly



For Gutter Trays, refer to the Assembly Instructions that can be found by scanning the QR code on the right or by visiting the [benching page on botanicare.com](http://benching.page.on.botanicare.com).

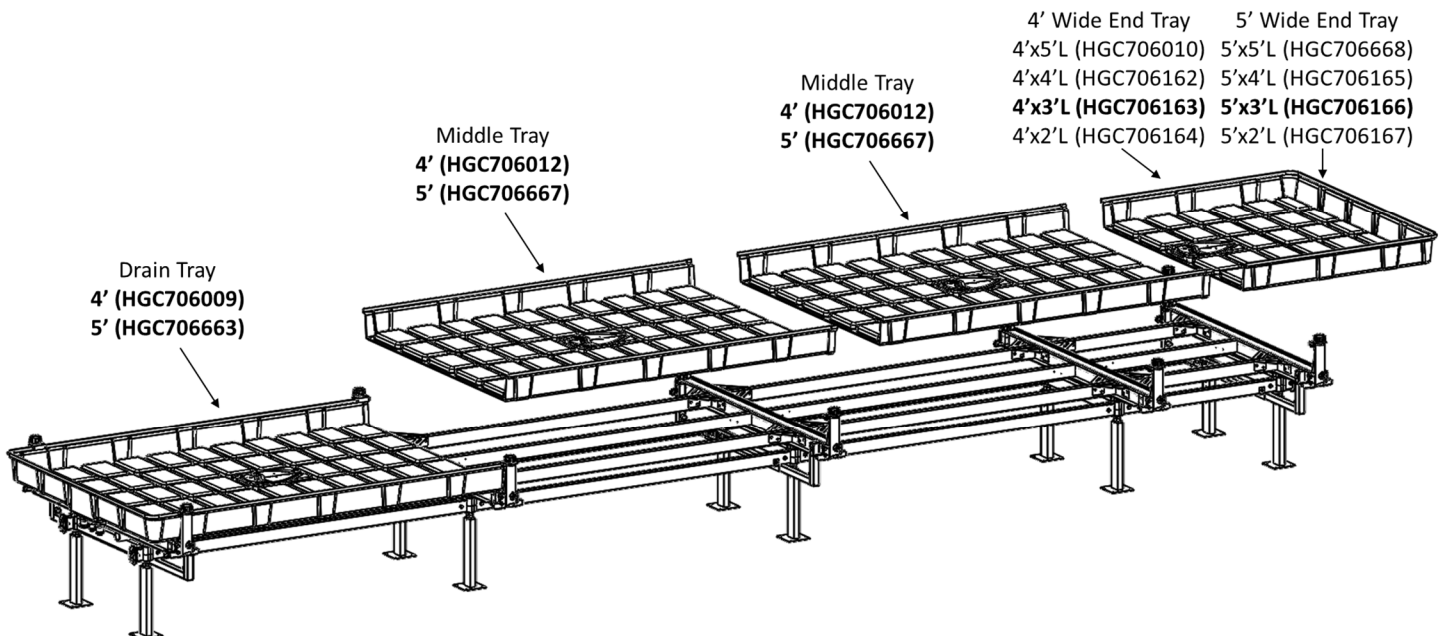


Before using BOND THREE lap tray sealant adhesive, dry fit all trays on the table to make sure all seams fall into the recess in the table extrusions.

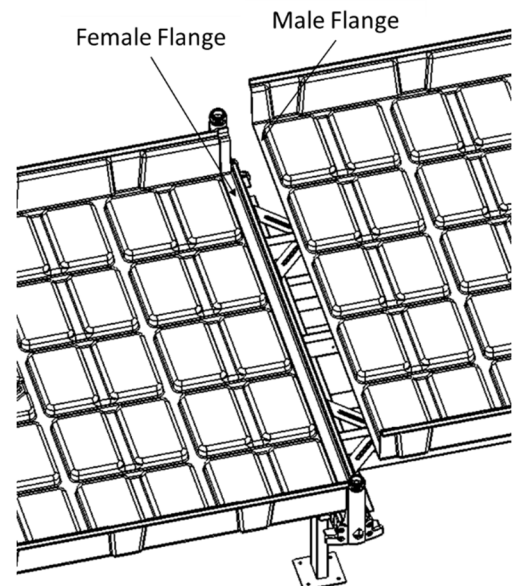


Before using BOND THREE lap tray sealant adhesive, carefully read and follow all warnings and directions for use on package and in instructions.

Dry fit trays to the table, making sure the logo on the tray is facing the same direction with the bottom of the waterdrop pointing towards the drain section.



Clean all bonding surfaces (areas where the male and female flanges of the trays interact) of the trays using isopropyl alcohol and clean cloths. Beginning with the drain tray, bond the tray seam to the adjacent tray with BOND THREE lap tray sealant.

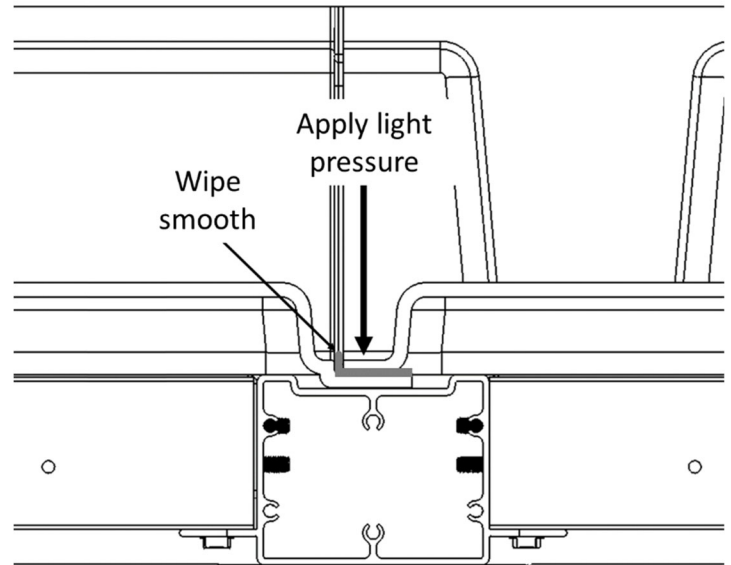
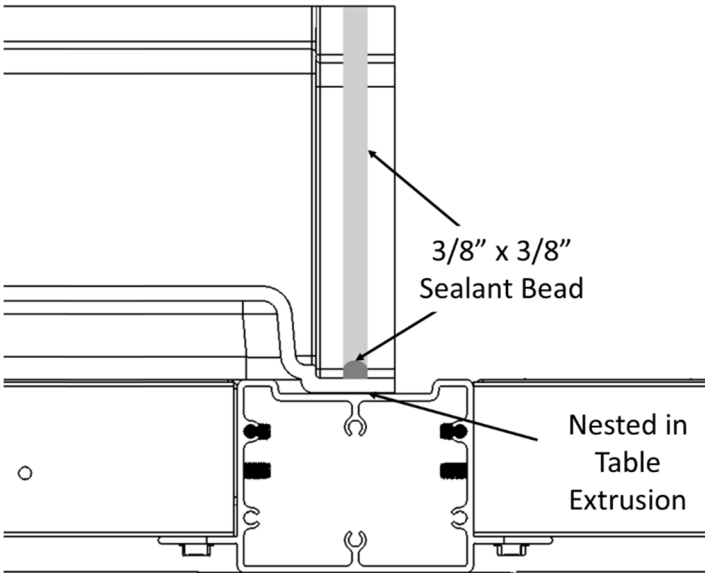


Complete all tray adjustments within 15 minutes of applying sealant. After 15 minutes, do not move or handle trays for 24 hours.

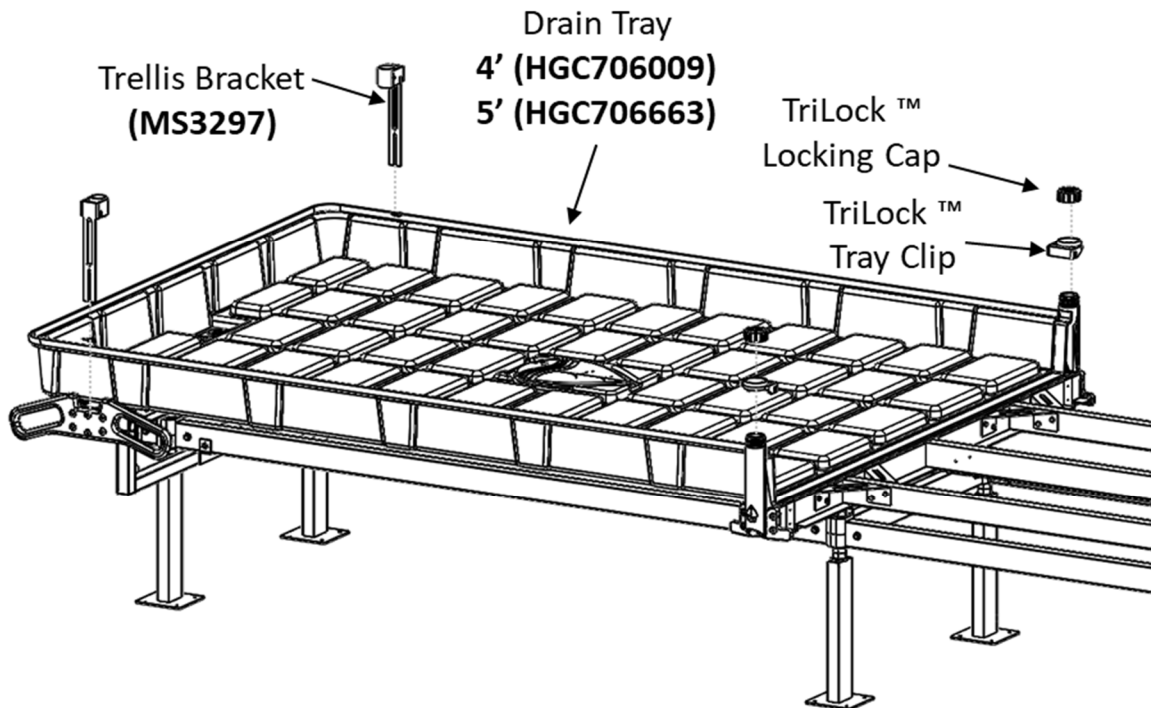


Applying too much pressure on the seam will force BOND THREE out of the seam and can result in leaks. Only light pressure is required.

Use a caulk gun according to the BOND THREE lap tray sealant instructions to apply the sealant adhesive to the female flange of the tray. Continue bonding trays until the end of the bench is reached.

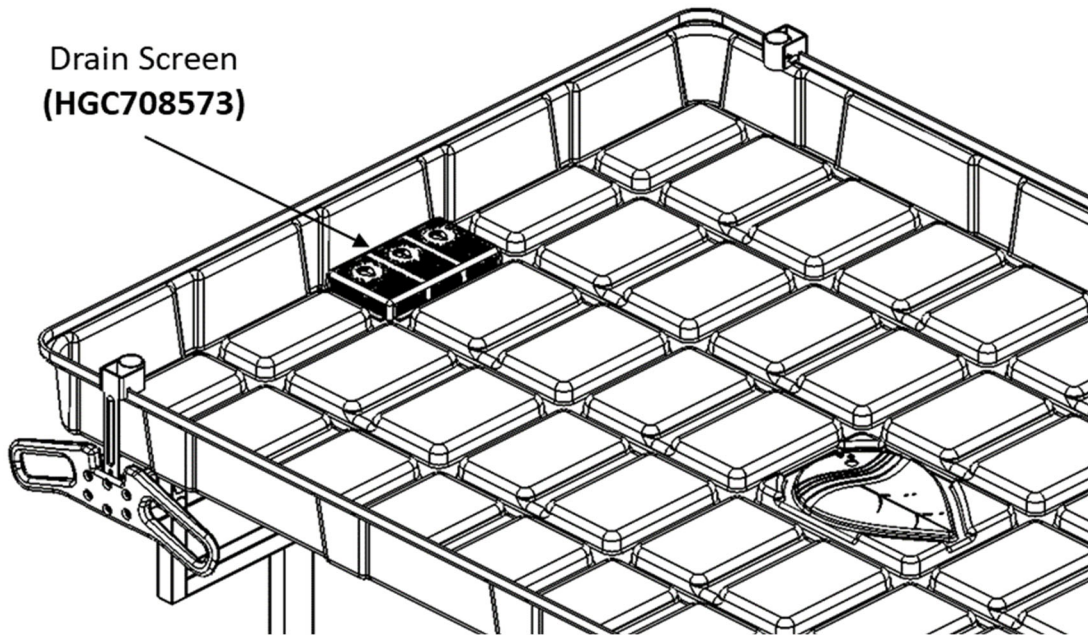


Install trellis brackets (for standard trellis mount) or tray clips and locking cap (for TriLock™ trellising support) to keep trays aligned and the tray joints held tightly.



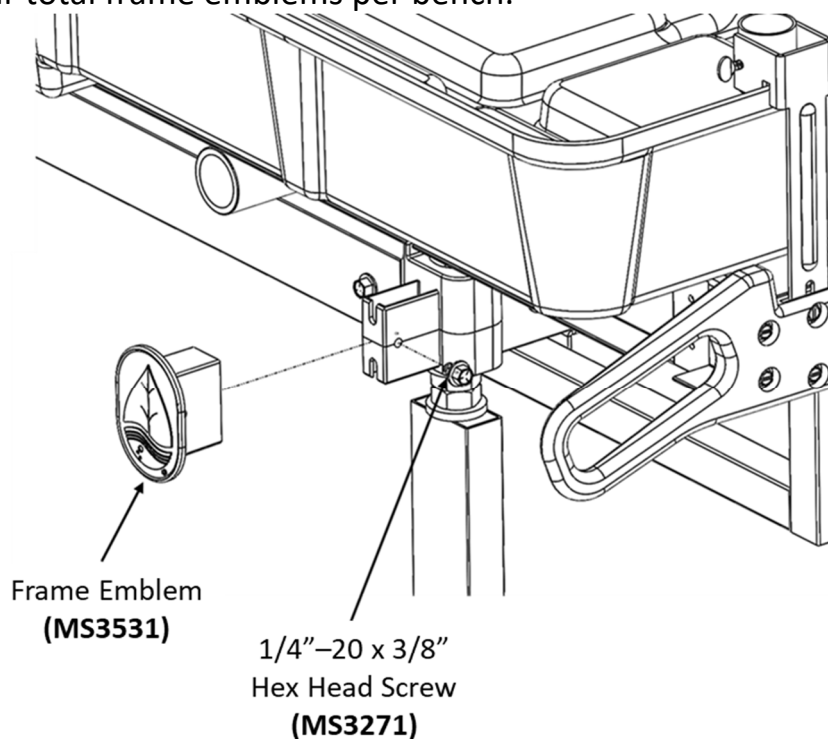
Drill out holes in the drain tray to a diameter of 1 3/8" (35mm) using the 1 3/8" step drill bit. Do not drill out to a size larger than 1 1/2" (38mm). Clean the area of any plastic chips that may interfere with the seal of the bulkhead fitting. Assemble the provided bulkhead fitting(s) as required to the drain tray.

Install the drain screen on the drain tray. The Botanicare® logo on the drain screen matches the directions of the Botanicare® logos on the trays.



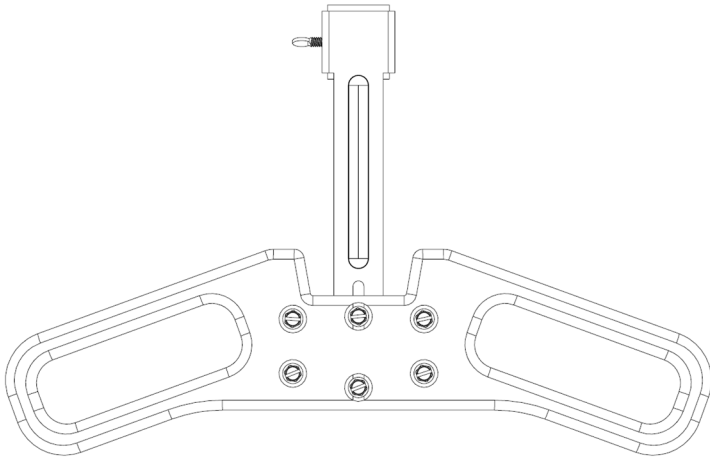
### **Step 12. Frame Emblems**

Install frame emblems using the shown fastener. There are two frame emblems for each end of the bench, for four total frame emblems per bench.



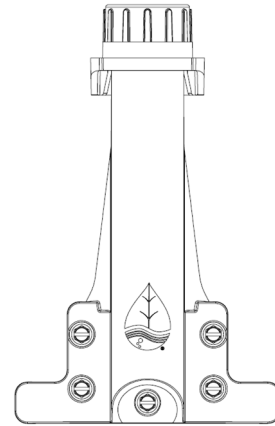


**Step 13. Trellising**



**Standard Trellis Mount**

**Skip to Step 13a (page 38)**



**TriLock™ Trellising Support**

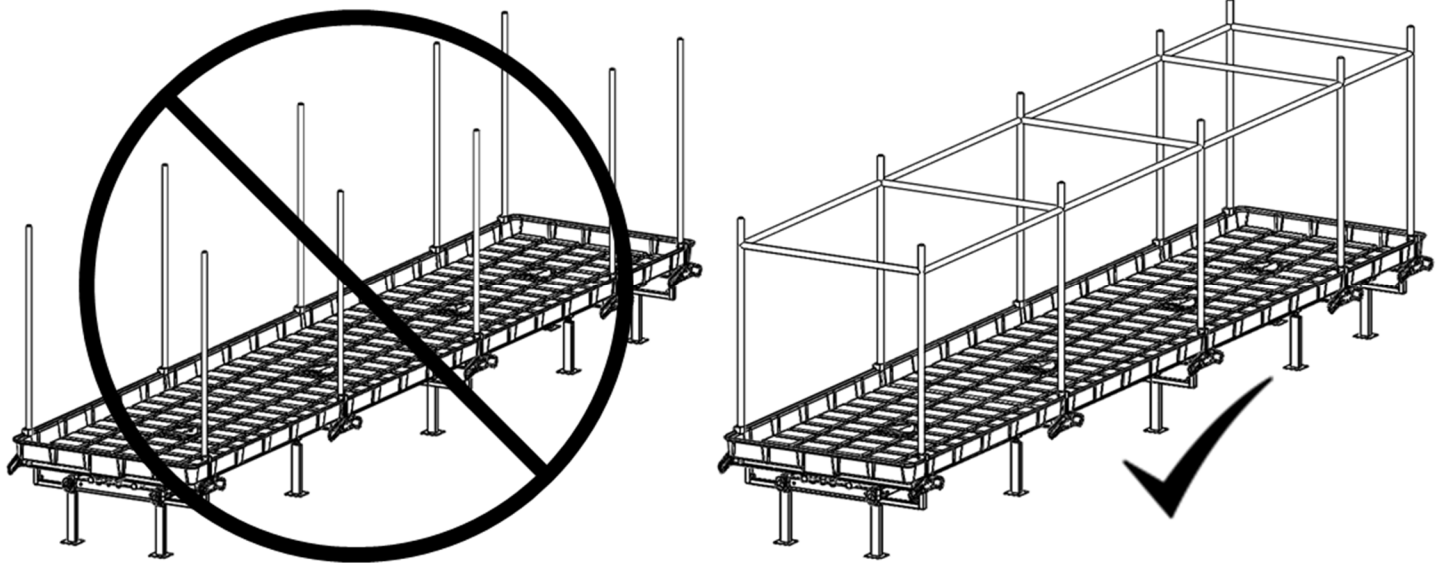
**Skip to Step 13b (page 39)**

### Step 13a. Trellising with the Standard Trellis Mount

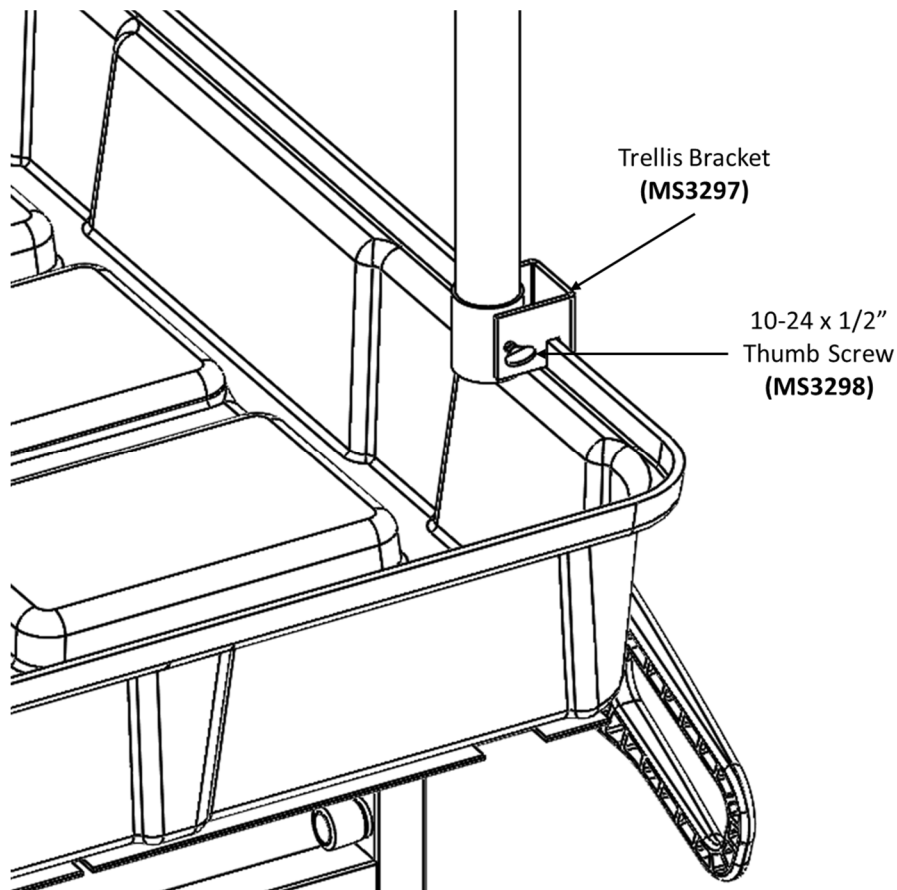
The standard trellis mount accepts 1" EMT and 3/4" PVC tubing.



The standard trellis mount requires a "fully-caged" setup. This provides the best support for plants and prevents poles and trellis brackets from bending under the weight of plant canopy.



Install the trellis pole into the hole of the trellis bracket as far as it can go. Tighten the thumb screw to secure the trellis pole.

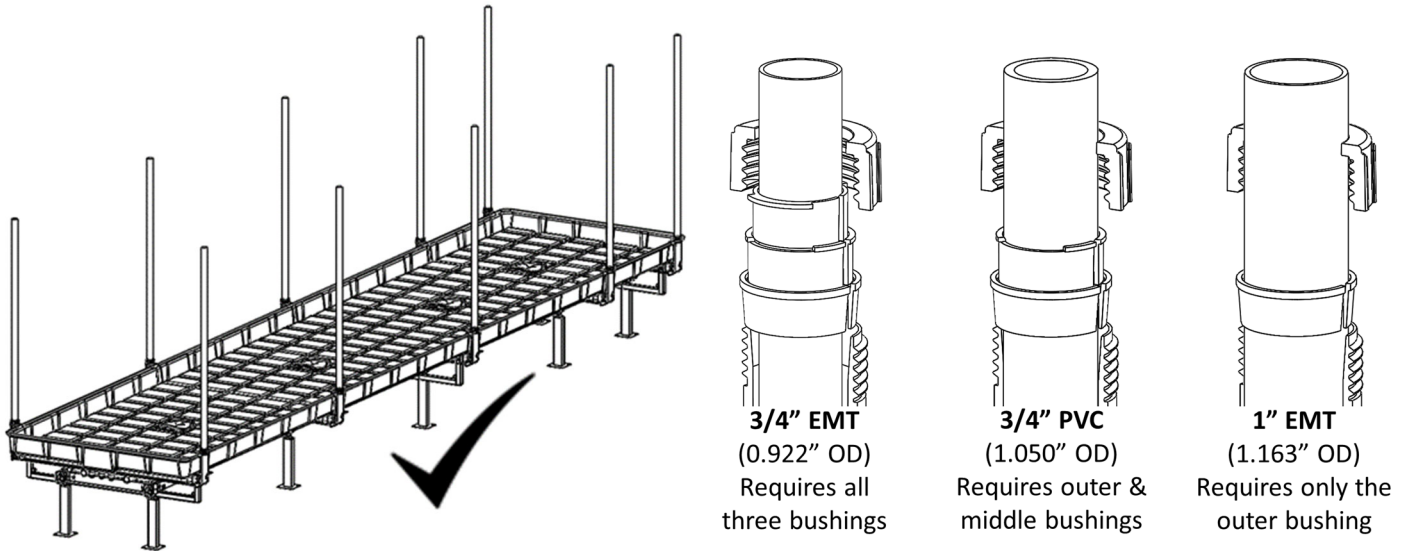


## Step 13b. Trellising with the TriLock™ Trellising Supports

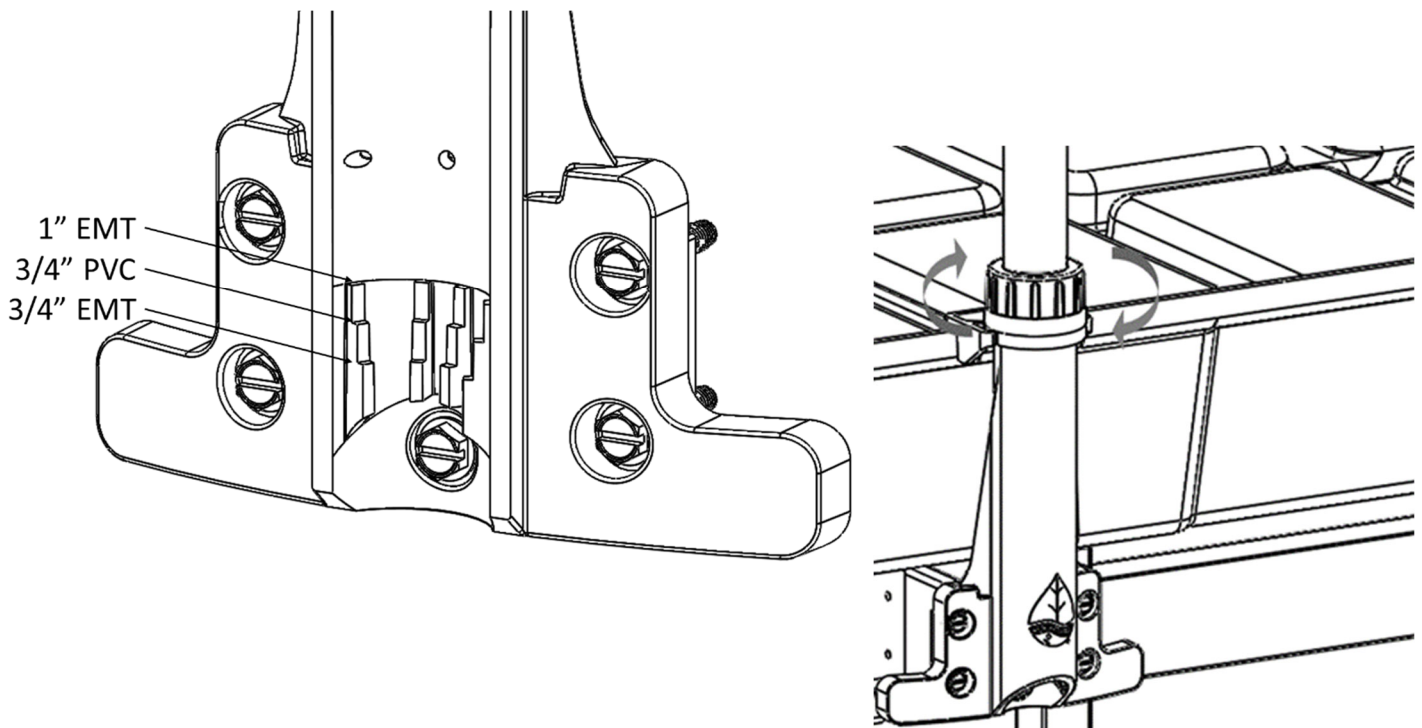


The TriLock™ trellising supports are strong enough with single poles to hold the weight of most plant canopies.

The TriLock™ Trellising Supports are designed to accommodate 3/4" EMT, 3/4" PVC, and 1" EMT tubing.



Insert the upright. Ensure the upright sits on the correct shelf in the upright support. Once the upright is in place, tighten the locking cap by rotating clockwise.



## Appendix A: Bench Lengths vs. Dimension L

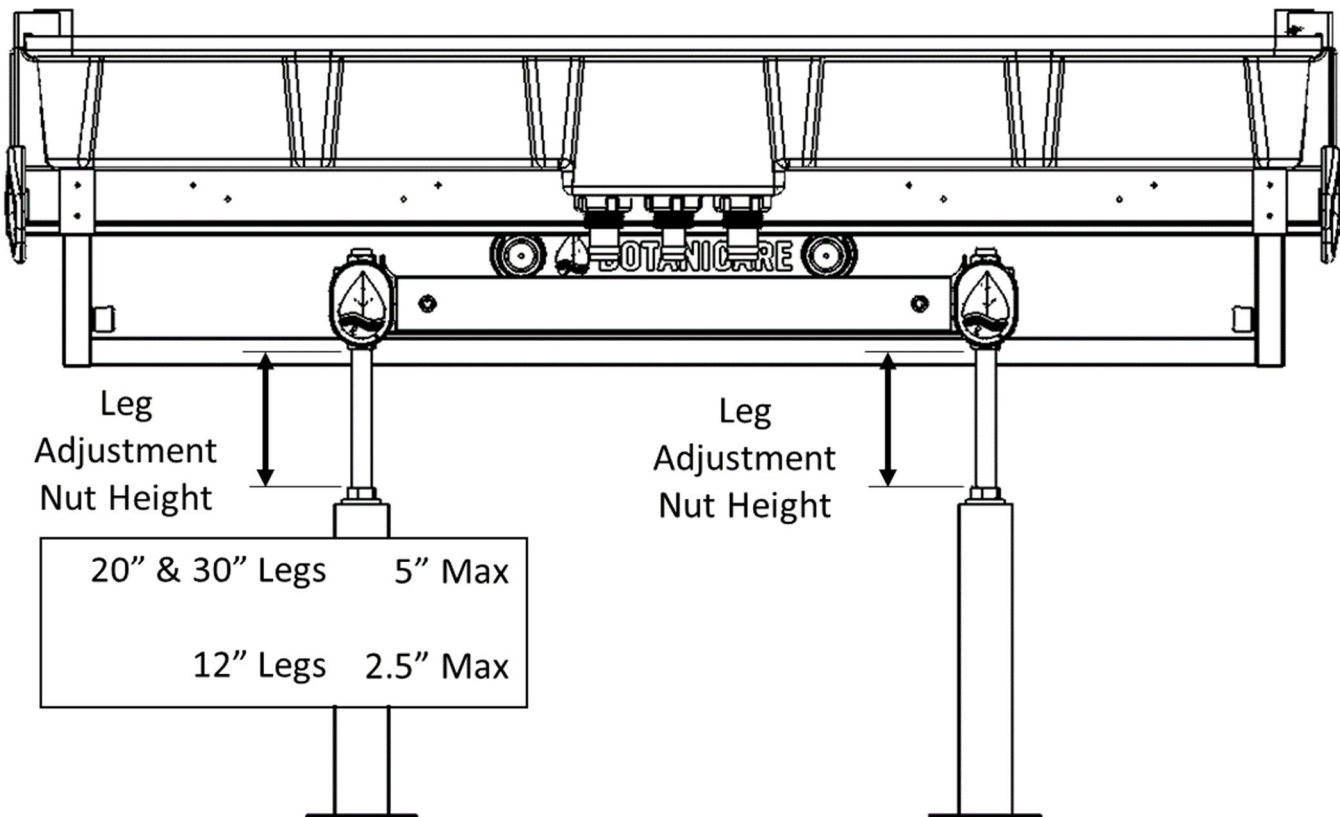
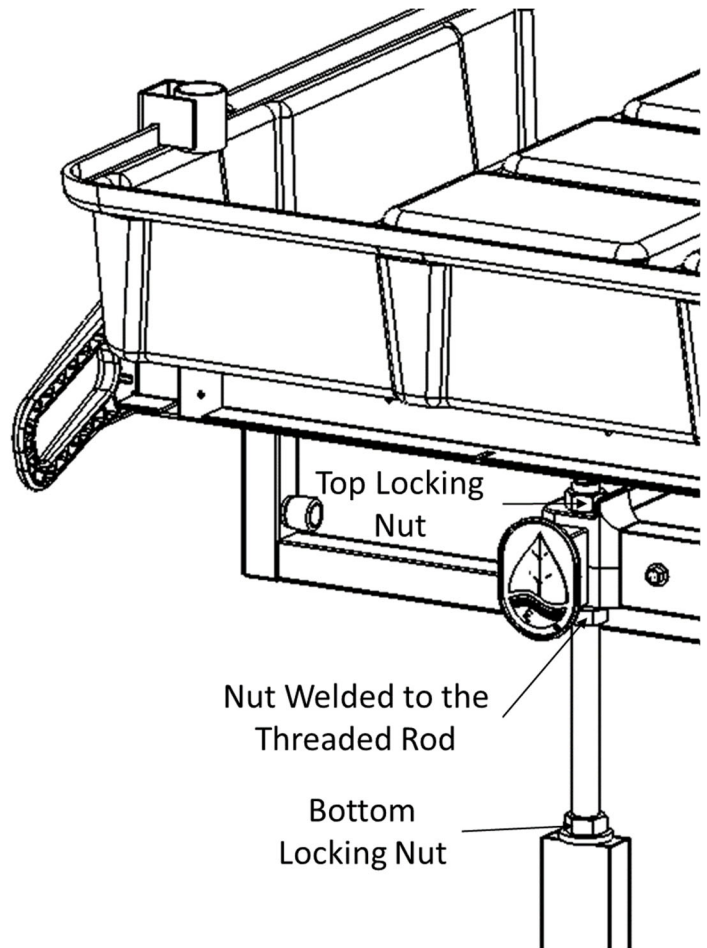
Bench Length (ft)	Dimension L (in)	Bench Length (ft)	Dimension L (in)	Bench Length (ft)	Dimension L (in)	Bench Length (ft)	Dimension L (in)
7.5	78	30.5	354	54.5	642	78.5	930
8.5	90	32.5	378	55.5	654	79.5	942
9.5	102	33.5	390	57.5	678	80.5	954
10.5	114	34.5	402	58.5	690	82.5	978
12.5	138	35.5	414	59.5	702	83.5	990
13.5	150	37.5	438	60.5	714	84.5	1002
14.5	162	38.5	450	62.5	738	85.5	1014
15.5	174	39.5	462	63.5	750	87.5	1038
17.5	198	40.5	474	64.5	762	88.5	1050
18.5	210	42.5	498	65.5	774	89.5	1062
19.5	222	43.5	510	67.5	798	90.5	1074
20.5	234	44.5	522	68.5	810	92.5	1098
22.5	258	45.5	534	69.5	822	93.5	1110
23.5	270	47.5	558	70.5	834	94.5	1122
24.5	282	48.5	570	72.5	858	95.5	1134
25.5	294	49.5	582	73.5	870	97.5	1158
27.5	318	50.5	594	74.5	882	98.5	1170
28.5	330	52.5	618	75.5	894	99.5	1182
29.5	342	53.5	630	77.5	918	100.5	1194

## Appendix B: Slope for Drainage

If the assembled bench is to include slope for drainage, use the table below to assemble each leg assembly with the appropriate height.

Leg adjustment nut heights on both sides of a single leg assembly should allow for the bench to be level from side to side, even if the floor is not level.

Set the height by loosening the bottom and top locking nuts and rotating the nut welded to the threaded rod to move the table up and down. Once the height is set according to the table below, hold the nut welded to the threaded rod fixed and tighten the top locking nut. Then hold the nut welded to the threaded rod fixed and tighten the bottom locking nut.



## 20" and 30" Benches – Arch Adjustment Nut Height in Inches

Bench Length (ft)	Arch 1 (Drain)	Arch 2	Arch 3	Arch 4	Arch 5	Arch 6	Arch 7	Arch 8	Arch 9	Arch 10	Arch 11	Arch 12	Arch 13
7.5	0	5/8	13/16										
8.5	0	5/8	15/16										
9.5	0	5/8	1 1/16										
10.5	0	5/8	1 1/4										
12.5	0	5/8	1 1/4	1 7/16									
13.5	0	5/8	1 1/4	1 9/16									
14.5	0	5/8	1 1/4	1 11/16									
15.5	0	5/8	1 1/4	1 7/8									
17.5	0	5/8	1 1/4	1 7/8	2 1/16								
18.5	0	5/8	1 1/4	1 7/8	2 3/16								
19.5	0	5/8	1 1/4	1 7/8	2 5/16								
20.5	0	5/8	1 1/4	1 7/8	2 1/2								
22.5	0	5/8	1 1/4	1 7/8	2 1/2	2 11/16							
23.5	0	5/8	1 1/4	1 7/8	2 1/2	2 13/16							
24.5	0	5/8	1 1/4	1 7/8	2 1/2	2 15/16							
25.5	0	5/8	1 1/4	1 7/8	2 1/2	3 1/8							
27.5	0	5/8	1 1/4	1 7/8	2 1/2	3 1/8	3 5/16						
28.5	0	5/8	1 1/4	1 7/8	2 1/2	3 1/8	3 7/16						
29.5	0	5/8	1 1/4	1 7/8	2 1/2	3 1/8	3 9/16						
30.5	0	5/8	1 1/4	1 7/8	2 1/2	3 1/8	3 3/4						
32.5	0	5/8	1 1/4	1 7/8	2 1/2	3 1/8	3 3/4	3 15/16					
33.5	0	5/8	1 1/4	1 7/8	2 1/2	3 1/8	3 3/4	4 1/16					
34.5	0	5/8	1 1/4	1 7/8	2 1/2	3 1/8	3 3/4	4 3/16					
35.5	0	5/8	1 1/4	1 7/8	2 1/2	3 1/8	3 3/4	4 3/8					
37.5	0	5/8	1 1/4	1 7/8	2 1/2	3 1/8	3 3/4	4 3/8	4 9/16				
38.5	0	5/8	1 1/4	1 7/8	2 1/2	3 1/8	3 3/4	4 3/8	4 11/16				
39.5	0	5/8	1 1/4	1 7/8	2 1/2	3 1/8	3 3/4	4 3/8	4 13/16				
40.5	0	5/8	1 1/4	1 7/8	2 1/2	3 1/8	3 3/4	4 3/8	5				
42.5	0	1/2	1	1 1/2	2	2 1/2	3	3 1/2	4	4 1/8			
43.5	0	1/2	1	1 1/2	2	2 1/2	3	3 1/2	4	4 1/4			
44.5	0	1/2	1	1 1/2	2	2 1/2	3	3 1/2	4	4 3/8			
45.5	0	1/2	1	1 1/2	2	2 1/2	3	3 1/2	4	4 1/2			
47.5	0	1/2	1	1 1/2	2	2 1/2	3	3 1/2	4	4 1/2	4 5/8		
48.5	0	1/2	1	1 1/2	2	2 1/2	3	3 1/2	4	4 1/2	4 3/4		
49.5	0	1/2	1	1 1/2	2	2 1/2	3	3 1/2	4	4 1/2	4 7/8		
50.5	0	1/2	1	1 1/2	2	2 1/2	3	3 1/2	4	4 1/2	5		
52.5	0	7/16	7/8	1 5/16	1 3/4	2 3/16	2 5/8	3 1/16	3 1/2	3 15/16	4 3/8	4 1/2	
53.5	0	7/16	7/8	1 5/16	1 3/4	2 3/16	2 5/8	3 1/16	3 1/2	3 15/16	4 3/8	4 5/8	
54.5	0	7/16	7/8	1 5/16	1 3/4	2 3/16	2 5/8	3 1/16	3 1/2	3 15/16	4 3/8	4 11/16	
55.5	0	7/16	7/8	1 5/16	1 3/4	2 3/16	2 5/8	3 1/16	3 1/2	3 15/16	4 3/8	4 13/16	
57.5	0	3/8	3/4	1 1/8	1 1/2	1 7/8	2 1/4	2 5/8	3	3 3/8	3 3/4	4 1/8	4 1/4
58.5	0	3/8	3/4	1 1/8	1 1/2	1 7/8	2 1/4	2 5/8	3	3 3/8	3 3/4	4 1/8	4 5/16
59.5	0	3/8	3/4	1 1/8	1 1/2	1 7/8	2 1/4	2 5/8	3	3 3/8	3 3/4	4 1/8	4 3/8
60.5	0	3/8	3/4	1 1/8	1 1/2	1 7/8	2 1/4	2 5/8	3	3 3/8	3 3/4	4 1/8	4 1/2
	Arch 1 (Drain)	Arch 2	Arch 3	Arch 4	Arch 5	Arch 6	Arch 7	Arch 8	Arch 9	Arch 10	Arch 11	Arch 12	Arch 13

## 20" and 30" Benches – Arch Adjustment Nut Height in Inches

Bench Length (ft)	Arch 1 (Drain)	Arch 2	Arch 3	Arch 4	Arch 5	Arch 6	Arch 7	Arch 8	Arch 9	Arch 10	Arch 11	Arch 12	Arch 13	Arch 14	Arch 15	Arch 16	Arch 17	Arch 18	Arch 19	Arch 20	Arch 21
62.5	0	3/8	3/4	1 1/8	1 1/2	1 7/8	2 1/4	2 5/8	3	3 3/8	3 3/4	4 1/8	4 1/2	4 5/8							
63.5	0	3/8	3/4	1 1/8	1 1/2	1 7/8	2 1/4	2 5/8	3	3 3/8	3 3/4	4 1/8	4 1/2	4 11/16							
64.5	0	3/8	3/4	1 1/8	1 1/2	1 7/8	2 1/4	2 5/8	3	3 3/8	3 3/4	4 1/8	4 1/2	4 3/4							
65.5	0	3/8	3/4	1 1/8	1 1/2	1 7/8	2 1/4	2 5/8	3	3 3/8	3 3/4	4 1/8	4 1/2	4 7/8							
67.5	0	5/16	5/8	15/16	1 1/4	1 9/16	1 7/8	2 3/16	2 1/2	2 13/16	3 1/8	3 7/16	3 3/4	4 1/16	4 3/16						
68.5	0	5/16	5/8	15/16	1 1/4	1 9/16	1 7/8	2 3/16	2 1/2	2 13/16	3 1/8	3 7/16	3 3/4	4 1/16	4 1/4						
69.5	0	5/16	5/8	15/16	1 1/4	1 9/16	1 7/8	2 3/16	2 1/2	2 13/16	3 1/8	3 7/16	3 3/4	4 1/16	4 5/16						
70.5	0	5/16	5/8	15/16	1 1/4	1 9/16	1 7/8	2 3/16	2 1/2	2 13/16	3 1/8	3 7/16	3 3/4	4 1/16	4 3/8						
72.5	0	5/16	5/8	15/16	1 1/4	1 9/16	1 7/8	2 3/16	2 1/2	2 13/16	3 1/8	3 7/16	3 3/4	4 1/16	4 3/8	4 1/2					
73.5	0	5/16	5/8	15/16	1 1/4	1 9/16	1 7/8	2 3/16	2 1/2	2 13/16	3 1/8	3 7/16	3 3/4	4 1/16	4 3/8	4 9/16					
74.5	0	5/16	5/8	15/16	1 1/4	1 9/16	1 7/8	2 3/16	2 1/2	2 13/16	3 1/8	3 7/16	3 3/4	4 1/16	4 3/8	4 5/8					
75.5	0	5/16	5/8	15/16	1 1/4	1 9/16	1 7/8	2 3/16	2 1/2	2 13/16	3 1/8	3 7/16	3 3/4	4 1/16	4 3/8	4 11/16					
77.5	0	5/16	5/8	15/16	1 1/4	1 9/16	1 7/8	2 3/16	2 1/2	2 13/16	3 1/8	3 7/16	3 3/4	4 1/16	4 3/8	4 11/16	4 13/16				
78.5	0	5/16	5/8	15/16	1 1/4	1 9/16	1 7/8	2 3/16	2 1/2	2 13/16	3 1/8	3 7/16	3 3/4	4 1/16	4 3/8	4 11/16	4 7/8				
79.5	0	5/16	5/8	15/16	1 1/4	1 9/16	1 7/8	2 3/16	2 1/2	2 13/16	3 1/8	3 7/16	3 3/4	4 1/16	4 3/8	4 11/16	4 15/16				
80.5	0	5/16	5/8	15/16	1 1/4	1 9/16	1 7/8	2 3/16	2 1/2	2 13/16	3 1/8	3 7/16	3 3/4	4 1/16	4 3/8	4 11/16	5				
82.5	0	1/4	1/2	3/4	1	1 1/4	1 1/2	1 3/4	2	2 1/4	2 1/2	2 3/4	3	3 1/4	3 1/2	3 3/4	4	4 1/16			
83.5	0	1/4	1/2	3/4	1	1 1/4	1 1/2	1 3/4	2	2 1/4	2 1/2	2 3/4	3	3 1/4	3 1/2	3 3/4	4	4 1/8			
84.5	0	1/4	1/2	3/4	1	1 1/4	1 1/2	1 3/4	2	2 1/4	2 1/2	2 3/4	3	3 1/4	3 1/2	3 3/4	4	4 3/16			
85.5	0	1/4	1/2	3/4	1	1 1/4	1 1/2	1 3/4	2	2 1/4	2 1/2	2 3/4	3	3 1/4	3 1/2	3 3/4	4	4 1/4			
87.5	0	1/4	1/2	3/4	1	1 1/4	1 1/2	1 3/4	2	2 1/4	2 1/2	2 3/4	3	3 1/4	3 1/2	3 3/4	4	4 1/4	4 5/16		
88.5	0	1/4	1/2	3/4	1	1 1/4	1 1/2	1 3/4	2	2 1/4	2 1/2	2 3/4	3	3 1/4	3 1/2	3 3/4	4	4 1/4	4 3/8		
89.5	0	1/4	1/2	3/4	1	1 1/4	1 1/2	1 3/4	2	2 1/4	2 1/2	2 3/4	3	3 1/4	3 1/2	3 3/4	4	4 1/4	4 7/16		
90.5	0	1/4	1/2	3/4	1	1 1/4	1 1/2	1 3/4	2	2 1/4	2 1/2	2 3/4	3	3 1/4	3 1/2	3 3/4	4	4 1/4	4 1/2		
92.5	0	1/4	1/2	3/4	1	1 1/4	1 1/2	1 3/4	2	2 1/4	2 1/2	2 3/4	3	3 1/4	3 1/2	3 3/4	4	4 1/4	4 1/2	4 9/16	
93.5	0	1/4	1/2	3/4	1	1 1/4	1 1/2	1 3/4	2	2 1/4	2 1/2	2 3/4	3	3 1/4	3 1/2	3 3/4	4	4 1/4	4 1/2	4 5/8	
94.5	0	1/4	1/2	3/4	1	1 1/4	1 1/2	1 3/4	2	2 1/4	2 1/2	2 3/4	3	3 1/4	3 1/2	3 3/4	4	4 1/4	4 1/2	4 11/16	
95.5	0	1/4	1/2	3/4	1	1 1/4	1 1/2	1 3/4	2	2 1/4	2 1/2	2 3/4	3	3 1/4	3 1/2	3 3/4	4	4 1/4	4 1/2	4 3/4	
97.5	0	1/4	1/2	3/4	1	1 1/4	1 1/2	1 3/4	2	2 1/4	2 1/2	2 3/4	3	3 1/4	3 1/2	3 3/4	4	4 1/4	4 1/2	4 3/4	4 13/16
98.5	0	1/4	1/2	3/4	1	1 1/4	1 1/2	1 3/4	2	2 1/4	2 1/2	2 3/4	3	3 1/4	3 1/2	3 3/4	4	4 1/4	4 1/2	4 3/4	4 7/8
99.5	0	1/4	1/2	3/4	1	1 1/4	1 1/2	1 3/4	2	2 1/4	2 1/2	2 3/4	3	3 1/4	3 1/2	3 3/4	4	4 1/4	4 1/2	4 3/4	4 15/16
100.5	0	1/4	1/2	3/4	1	1 1/4	1 1/2	1 3/4	2	2 1/4	2 1/2	2 3/4	3	3 1/4	3 1/2	3 3/4	4	4 1/4	4 1/2	4 3/4	5
Arch 1 (Drain)	Arch 2	Arch 3	Arch 4	Arch 5	Arch 6	Arch 7	Arch 8	Arch 9	Arch 10	Arch 11	Arch 12	Arch 13	Arch 14	Arch 15	Arch 16	Arch 17	Arch 18	Arch 19	Arch 20	Arch 21	

## 12" Benches – Arch Adjustment Nut Height in Inches

Bench Length (ft)	Arch 1 (Drain)	Arch 2	Arch 3	Arch 4	Arch 5	Arch 6	Arch 7	Arch 8	Arch 9	Arch 10	Arch 11	Arch 12	Arch 13
7.5	0	5/16	7/16										
8.5	0	5/16	1/2										
9.5	0	5/16	9/16										
10.5	0	5/16	5/8										
12.5	0	5/16	5/8	3/4									
13.5	0	5/16	5/8	13/16									
14.5	0	5/16	5/8	7/8									
15.5	0	5/16	5/8	15/16									
17.5	0	5/16	5/8	15/16	1 1/16								
18.5	0	5/16	5/8	15/16	1 1/8								
19.5	0	5/16	5/8	15/16	1 3/16								
20.5	0	5/16	5/8	15/16	1 1/4								
22.5	0	5/16	5/8	15/16	1 1/4	1 3/8							
23.5	0	5/16	5/8	15/16	1 1/4	1 7/16							
24.5	0	5/16	5/8	15/16	1 1/4	1 1/2							
25.5	0	5/16	5/8	15/16	1 1/4	1 9/16							
27.5	0	5/16	5/8	15/16	1 1/4	1 9/16	1 11/16						
28.5	0	5/16	5/8	15/16	1 1/4	1 9/16	1 3/4						
29.5	0	5/16	5/8	15/16	1 1/4	1 9/16	1 13/16						
30.5	0	5/16	5/8	15/16	1 1/4	1 9/16	1 7/8						
32.5	0	5/16	5/8	15/16	1 1/4	1 9/16	1 7/8	2					
33.5	0	5/16	5/8	15/16	1 1/4	1 9/16	1 7/8	2 1/16					
34.5	0	5/16	5/8	15/16	1 1/4	1 9/16	1 7/8	2 1/8					
35.5	0	5/16	5/8	15/16	1 1/4	1 9/16	1 7/8	2 3/16					
37.5	0	5/16	5/8	15/16	1 1/4	1 9/16	1 7/8	2 3/16	2 5/16				
38.5	0	5/16	5/8	15/16	1 1/4	1 9/16	1 7/8	2 3/16	2 3/8				
39.5	0	5/16	5/8	15/16	1 1/4	1 9/16	1 7/8	2 3/16	2 7/16				
40.5	0	5/16	5/8	15/16	1 1/4	1 9/16	1 7/8	2 3/16	2 1/2				
42.5	0	1/4	1/2	3/4	1	1 1/4	1 1/2	1 3/4	2	2 1/16			
43.5	0	1/4	1/2	3/4	1	1 1/4	1 1/2	1 3/4	2	2 1/8			
44.5	0	1/4	1/2	3/4	1	1 1/4	1 1/2	1 3/4	2	2 3/16			
45.5	0	1/4	1/2	3/4	1	1 1/4	1 1/2	1 3/4	2	2 1/4			
47.5	0	1/4	1/2	3/4	1	1 1/4	1 1/2	1 3/4	2	2 1/4	2 5/16		
48.5	0	1/4	1/2	3/4	1	1 1/4	1 1/2	1 3/4	2	2 1/4	2 3/8		
49.5	0	1/4	1/2	3/4	1	1 1/4	1 1/2	1 3/4	2	2 1/4	2 7/16		
50.5	0	1/4	1/2	3/4	1	1 1/4	1 1/2	1 3/4	2	2 1/4	2 1/2		
52.5	0	3/16	3/8	9/16	3/4	15/16	1 1/8	1 5/16	1 1/2	1 11/16	1 7/8	1 15/16	
53.5	0	3/16	3/8	9/16	3/4	15/16	1 1/8	1 5/16	1 1/2	1 11/16	1 7/8	2	
54.5	0	3/16	3/8	9/16	3/4	15/16	1 1/8	1 5/16	1 1/2	1 11/16	1 7/8	2	
55.5	0	3/16	3/8	9/16	3/4	15/16	1 1/8	1 5/16	1 1/2	1 11/16	1 7/8	2 1/16	
57.5	0	3/16	3/8	9/16	3/4	15/16	1 1/8	1 5/16	1 1/2	1 11/16	1 7/8	2 1/16	2 1/8
58.5	0	3/16	3/8	9/16	3/4	15/16	1 1/8	1 5/16	1 1/2	1 11/16	1 7/8	2 1/16	2 3/16
59.5	0	3/16	3/8	9/16	3/4	15/16	1 1/8	1 5/16	1 1/2	1 11/16	1 7/8	2 1/16	2 3/16
60.5	0	3/16	3/8	9/16	3/4	15/16	1 1/8	1 5/16	1 1/2	1 11/16	1 7/8	2 1/16	2 1/4
	Arch 1 (Drain)	Arch 2	Arch 3	Arch 4	Arch 5	Arch 6	Arch 7	Arch 8	Arch 9	Arch 10	Arch 11	Arch 12	Arch 13



## 12" Benches – Arch Adjustment Nut Height in Inches

Bench Length (ft)	Arch 1 (Drain)	Arch 2	Arch 3	Arch 4	Arch 5	Arch 6	Arch 7	Arch 8	Arch 9	Arch 10	Arch 11	Arch 12	Arch 13	Arch 14	Arch 15	Arch 16	Arch 17	Arch 18	Arch 19	Arch 20	Arch 21
62.5	0	3/16	3/8	9/16	3/4	15/16	1 1/8	1 5/16	1 1/2	1 11/16	1 7/8	2 1/16	2 1/4	2 5/16							
63.5	0	3/16	3/8	9/16	3/4	15/16	1 1/8	1 5/16	1 1/2	1 11/16	1 7/8	2 1/16	2 1/4	2 3/8							
64.5	0	3/16	3/8	9/16	3/4	15/16	1 1/8	1 5/16	1 1/2	1 11/16	1 7/8	2 1/16	2 1/4	2 3/8							
65.5	0	3/16	3/8	9/16	3/4	15/16	1 1/8	1 5/16	1 1/2	1 11/16	1 7/8	2 1/16	2 1/4	2 7/16							
67.5	0	1/8	1/4	3/8	1/2	5/8	3/4	7/8	1	1 1/8	1 1/4	1 3/8	1 1/2	1 5/8	1 11/16						
68.5	0	1/8	1/4	3/8	1/2	5/8	3/4	7/8	1	1 1/8	1 1/4	1 3/8	1 1/2	1 5/8	1 11/16						
69.5	0	1/8	1/4	3/8	1/2	5/8	3/4	7/8	1	1 1/8	1 1/4	1 3/8	1 1/2	1 5/8	1 11/16						
70.5	0	1/8	1/4	3/8	1/2	5/8	3/4	7/8	1	1 1/8	1 1/4	1 3/8	1 1/2	1 5/8	1 3/4						
72.5	0	1/8	1/4	3/8	1/2	5/8	3/4	7/8	1	1 1/8	1 1/4	1 3/8	1 1/2	1 5/8	1 3/4	1 13/16					
73.5	0	1/8	1/4	3/8	1/2	5/8	3/4	7/8	1	1 1/8	1 1/4	1 3/8	1 1/2	1 5/8	1 3/4	1 13/16					
74.5	0	1/8	1/4	3/8	1/2	5/8	3/4	7/8	1	1 1/8	1 1/4	1 3/8	1 1/2	1 5/8	1 3/4	1 13/16					
75.5	0	1/8	1/4	3/8	1/2	5/8	3/4	7/8	1	1 1/8	1 1/4	1 3/8	1 1/2	1 5/8	1 3/4	1 7/8					
77.5	0	1/8	1/4	3/8	1/2	5/8	3/4	7/8	1	1 1/8	1 1/4	1 3/8	1 1/2	1 5/8	1 3/4	1 7/8	1 15/16				
78.5	0	1/8	1/4	3/8	1/2	5/8	3/4	7/8	1	1 1/8	1 1/4	1 3/8	1 1/2	1 5/8	1 3/4	1 7/8	1 15/16				
79.5	0	1/8	1/4	3/8	1/2	5/8	3/4	7/8	1	1 1/8	1 1/4	1 3/8	1 1/2	1 5/8	1 3/4	1 7/8	1 15/16				
80.5	0	1/8	1/4	3/8	1/2	5/8	3/4	7/8	1	1 1/8	1 1/4	1 3/8	1 1/2	1 5/8	1 3/4	1 7/8	2				
82.5	0	1/8	1/4	3/8	1/2	5/8	3/4	7/8	1	1 1/8	1 1/4	1 3/8	1 1/2	1 5/8	1 3/4	1 7/8	2	2 1/16			
83.5	0	1/8	1/4	3/8	1/2	5/8	3/4	7/8	1	1 1/8	1 1/4	1 3/8	1 1/2	1 5/8	1 3/4	1 7/8	2	2 1/16			
84.5	0	1/8	1/4	3/8	1/2	5/8	3/4	7/8	1	1 1/8	1 1/4	1 3/8	1 1/2	1 5/8	1 3/4	1 7/8	2	2 1/16			
85.5	0	1/8	1/4	3/8	1/2	5/8	3/4	7/8	1	1 1/8	1 1/4	1 3/8	1 1/2	1 5/8	1 3/4	1 7/8	2	2 1/8			
87.5	0	1/8	1/4	3/8	1/2	5/8	3/4	7/8	1	1 1/8	1 1/4	1 3/8	1 1/2	1 5/8	1 3/4	1 7/8	2	2 1/8	2 3/16		
88.5	0	1/8	1/4	3/8	1/2	5/8	3/4	7/8	1	1 1/8	1 1/4	1 3/8	1 1/2	1 5/8	1 3/4	1 7/8	2	2 1/8	2 3/16		
89.5	0	1/8	1/4	3/8	1/2	5/8	3/4	7/8	1	1 1/8	1 1/4	1 3/8	1 1/2	1 5/8	1 3/4	1 7/8	2	2 1/8	2 3/16		
90.5	0	1/8	1/4	3/8	1/2	5/8	3/4	7/8	1	1 1/8	1 1/4	1 3/8	1 1/2	1 5/8	1 3/4	1 7/8	2	2 1/8	2 1/4		
92.5	0	1/8	1/4	3/8	1/2	5/8	3/4	7/8	1	1 1/8	1 1/4	1 3/8	1 1/2	1 5/8	1 3/4	1 7/8	2	2 1/8	2 1/4	2 5/16	
93.5	0	1/8	1/4	3/8	1/2	5/8	3/4	7/8	1	1 1/8	1 1/4	1 3/8	1 1/2	1 5/8	1 3/4	1 7/8	2	2 1/8	2 1/4	2 5/16	
94.5	0	1/8	1/4	3/8	1/2	5/8	3/4	7/8	1	1 1/8	1 1/4	1 3/8	1 1/2	1 5/8	1 3/4	1 7/8	2	2 1/8	2 1/4	2 5/16	
95.5	0	1/8	1/4	3/8	1/2	5/8	3/4	7/8	1	1 1/8	1 1/4	1 3/8	1 1/2	1 5/8	1 3/4	1 7/8	2	2 1/8	2 1/4	2 3/8	
97.5	0	1/8	1/4	3/8	1/2	5/8	3/4	7/8	1	1 1/8	1 1/4	1 3/8	1 1/2	1 5/8	1 3/4	1 7/8	2	2 1/8	2 1/4	2 3/8	2 7/16
98.5	0	1/8	1/4	3/8	1/2	5/8	3/4	7/8	1	1 1/8	1 1/4	1 3/8	1 1/2	1 5/8	1 3/4	1 7/8	2	2 1/8	2 1/4	2 3/8	2 7/16
99.5	0	1/8	1/4	3/8	1/2	5/8	3/4	7/8	1	1 1/8	1 1/4	1 3/8	1 1/2	1 5/8	1 3/4	1 7/8	2	2 1/8	2 1/4	2 3/8	2 7/16
100.5	0	1/8	1/4	3/8	1/2	5/8	3/4	7/8	1	1 1/8	1 1/4	1 3/8	1 1/2	1 5/8	1 3/4	1 7/8	2	2 1/8	2 1/4	2 3/8	2 1/2
Arch 1 (Drain)	Arch 2	Arch 3	Arch 4	Arch 5	Arch 6	Arch 7	Arch 8	Arch 9	Arch 10	Arch 11	Arch 12	Arch 13	Arch 14	Arch 15	Arch 16	Arch 17	Arch 18	Arch 19	Arch 20	Arch 21	







**BOTANICARE®**

**TECHNICAL SUPPORT: 1-888-808-4826 | [Tsupport@hawthornegc.com](mailto:Tsupport@hawthornegc.com)**

©2023. World rights reserved. | HGC117004-02 | LB23562 | Botanicare Slide Bench Instructions